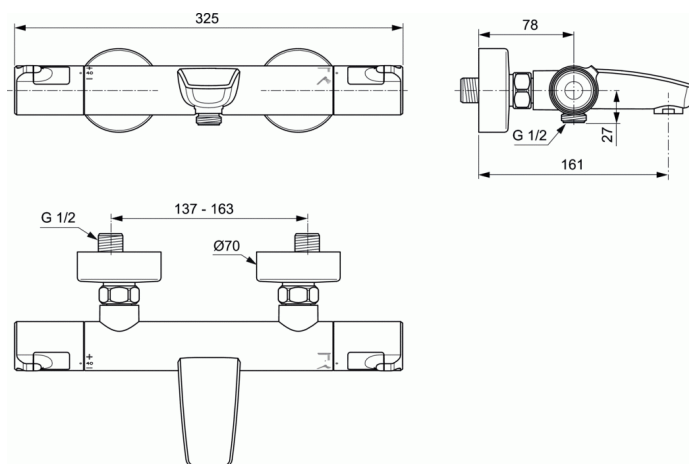


# CERATHERM T50

## Exposed thermostatic bath & shower mixer



### Exposed thermostatic bath & shower mixer

- Standard S-connectors
- IS Thermostatic cartridge new technology
- Ceramic valve G1/2 180°
- Cool body technology
- Without accessories
- Fin Metal handles with hot water at 40°C stop button and 50% water volume stop button
- Diverter integrated into the body - 180 degree operation
- Perlator aerator
- Non return valve

Comply with EN 1111

### FINISHES\*



\* AA = Chrome