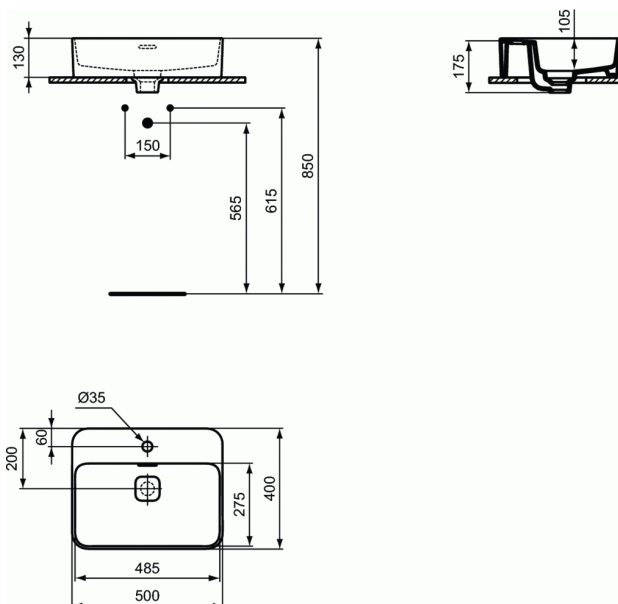


## STRADA II

### Vessel basin Rectangular - 50 cm



#### Vessel basin Rectangular - 50 cm

Central tap hole punched, with overflow (slotted shape)

Including fixation set D570967 and cutting template

Including waste white cover T854601

In carton box

EN 14688

Optional installation with: Click-clack waste with metal cover T3629AA

Recommended equipment:

- Design siphon G1 1/4 (E0079AA)
- Design stop angle valve (water connection G1/2, connection with mixer 10 mm/ G3/8) - 1 pc (A3491AA)
- Siphon waste G1 1/4 - tubular type (A2305AA)
- Stop angle valve (water connection G1/2, connection with mixer 10 mm/ G3/8) - 1 pc (B7883AA)
- Escutcheon for siphon G1 1/4 (in case installation with mixer without pop up waste) (B4801AA)
- Click-clack waste with metal cover (T3629AA)

#### FINISHES\*



\* 01 = Euro White