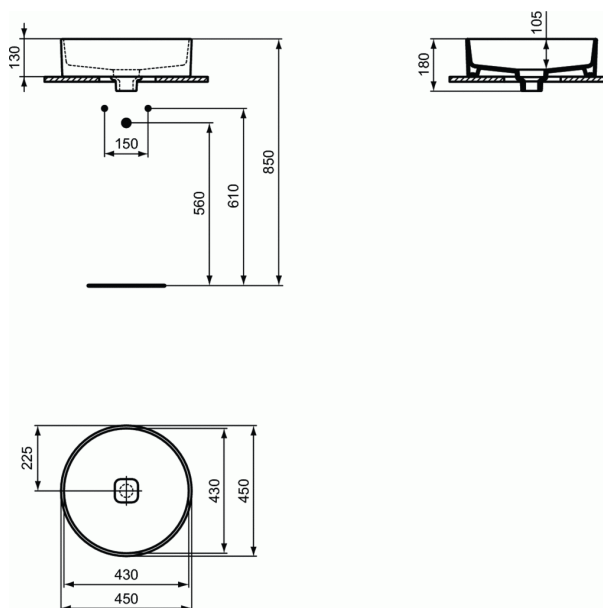


STRADA II

Vessel basin Round - 45 cm



Vessel basin Round - 45 cm

Without overflow

Including fixation set D570967 and cutting template

Including waste white cover T854601

In carton box

EN 14688

Please make sure to assembly with free waste (order separately)!

Recommended equipment:

- Design siphon G1 1/4 (in case of installation without semi-pedestal and without base cabinet) (E0079AA)
- Design stop angle valve (water connection G1/2, connection with mixer 10 mm/ G3/8) - 1 pc (A3491AA)
- Siphon waste G1 1/4 - tubular type (A2305AA)
- Stop angle valve (water connection G1/2, connection with mixer 10 mm/ G3/8) - 1 pc (B7883AA)
- Escutcheon for siphon G1 1/4 (in case installation with mixer without pop-up waste) (B4801AA)
- Free waste G1 1/4 for basins without overflow (J3291AA)

FINISHES*



01

* 01 = Euro White