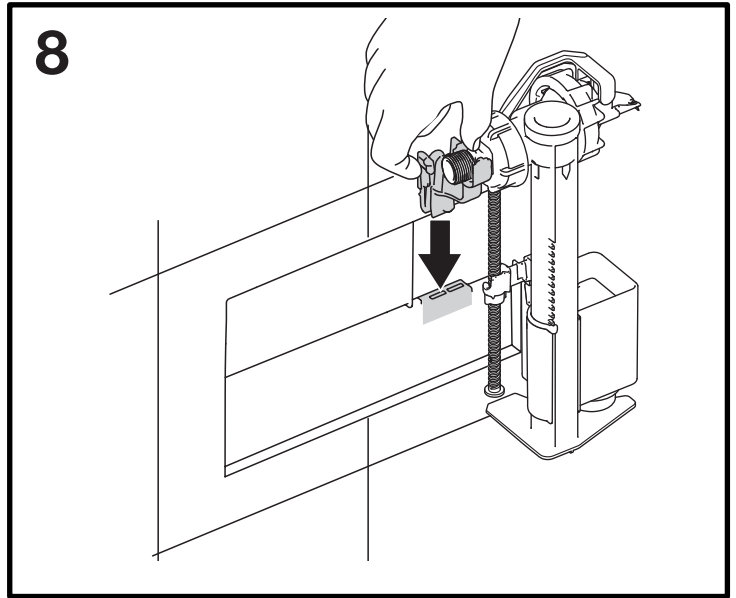
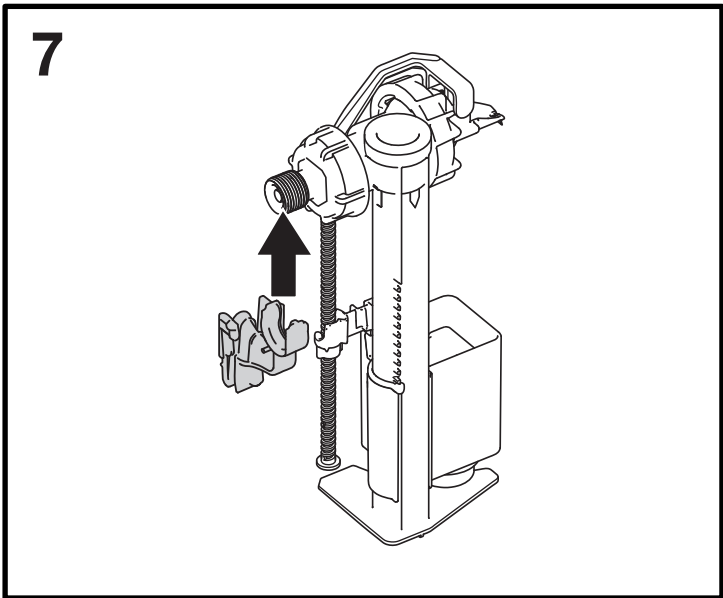
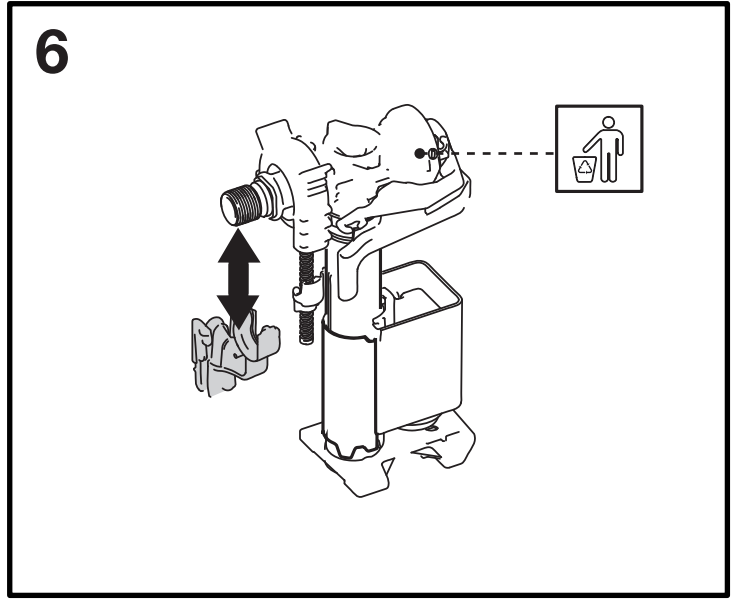
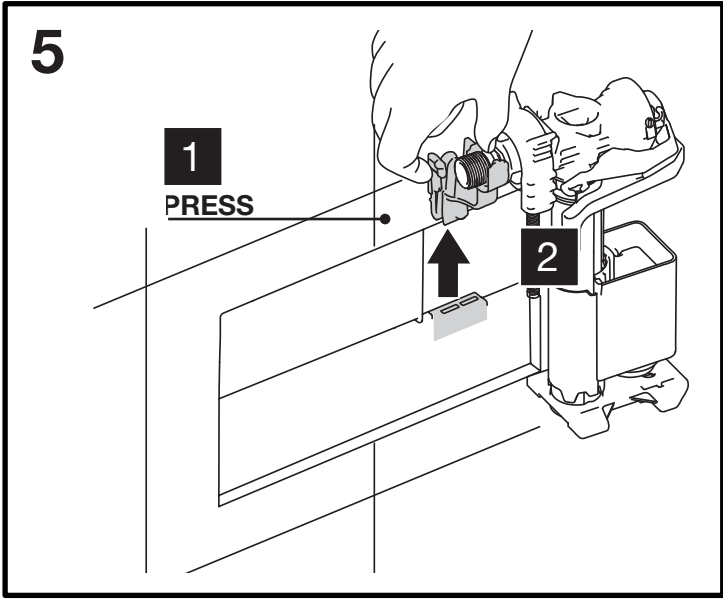
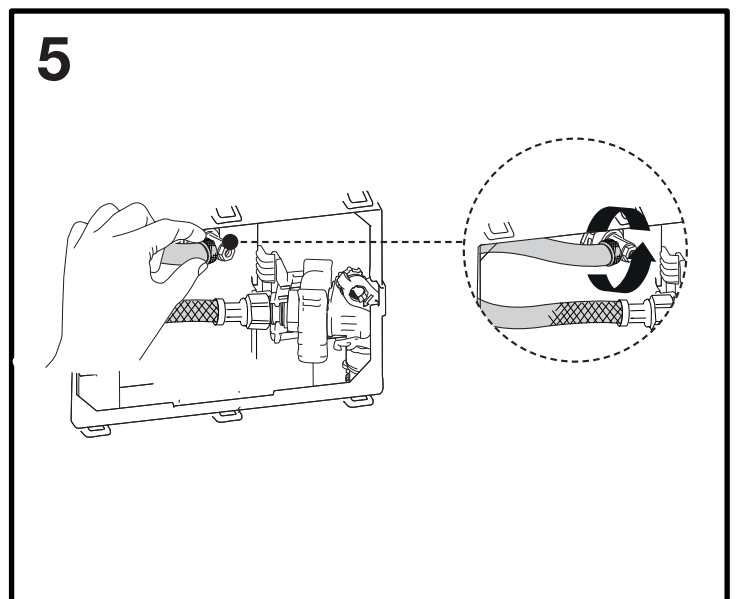
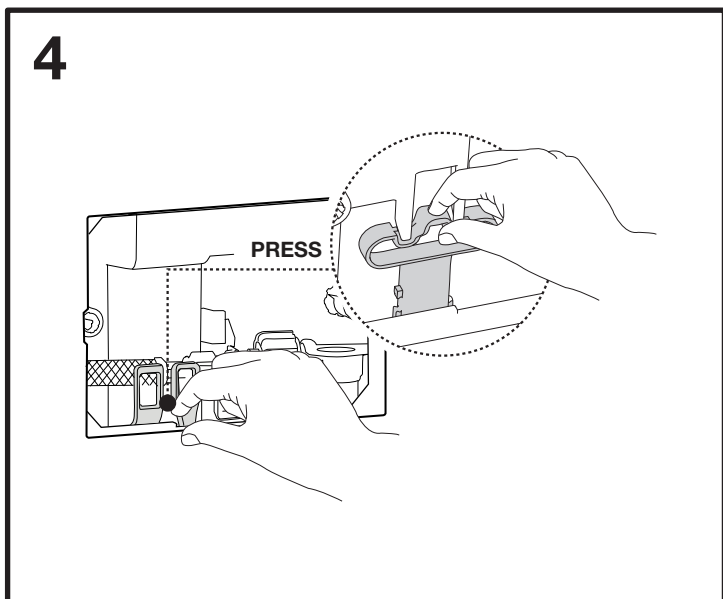
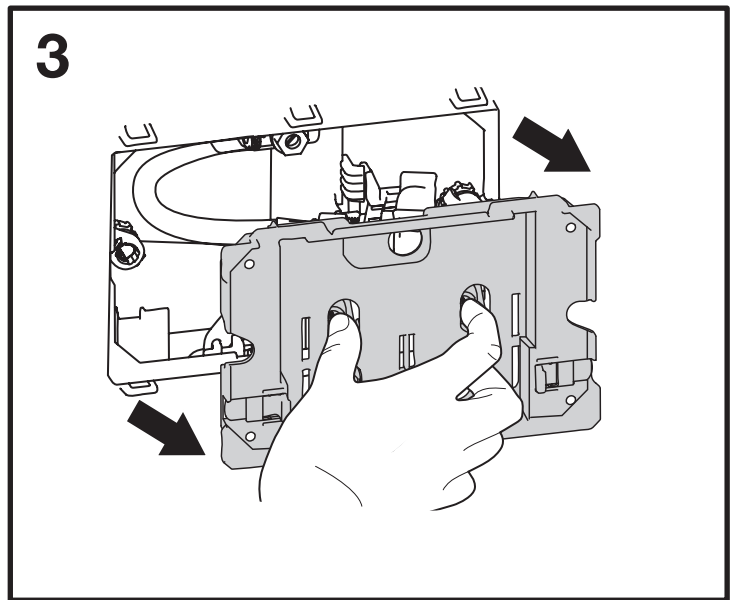
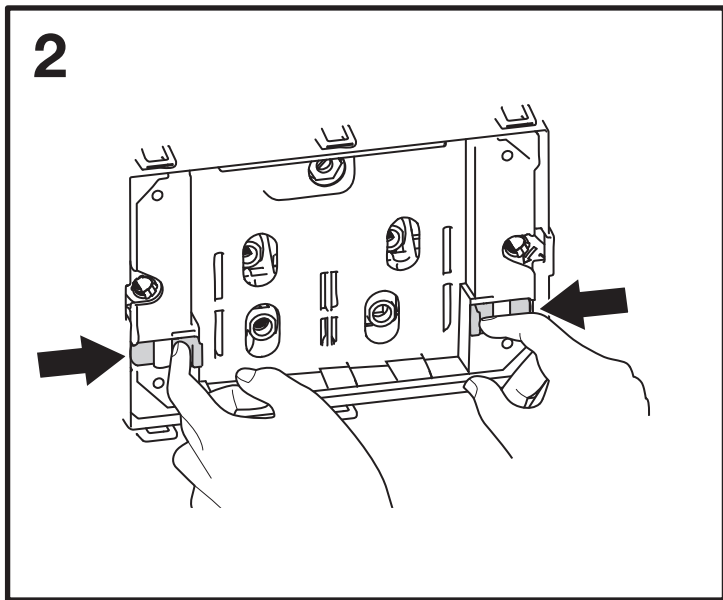
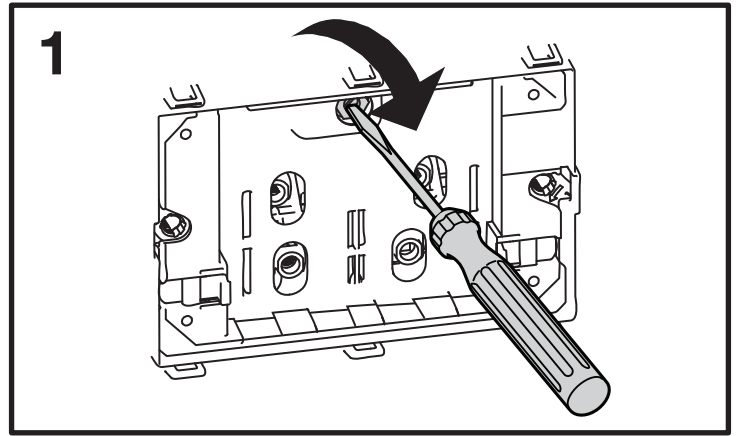
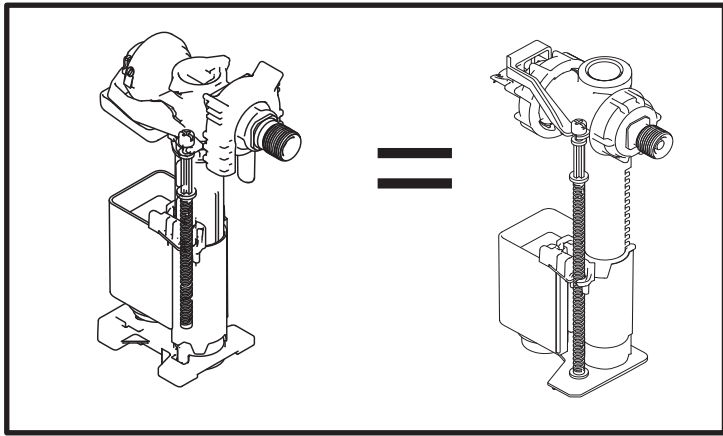
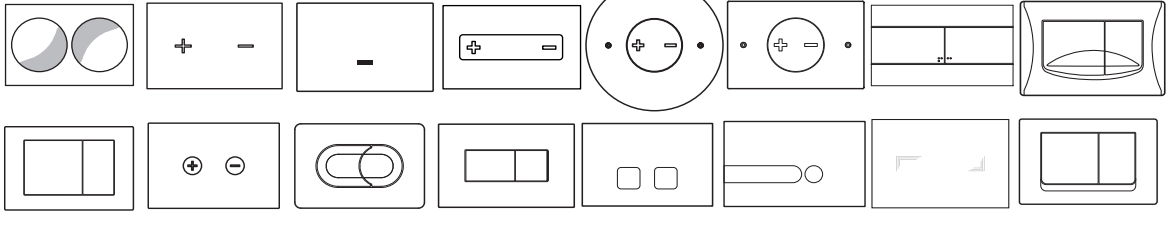


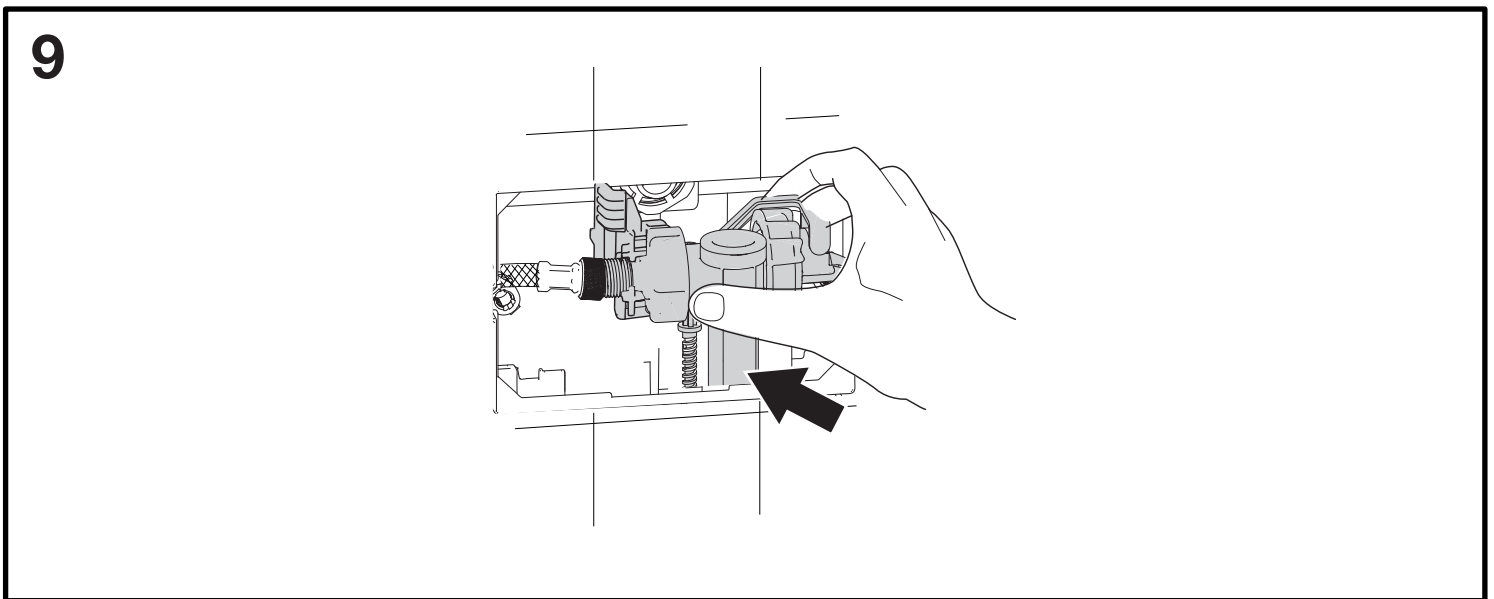
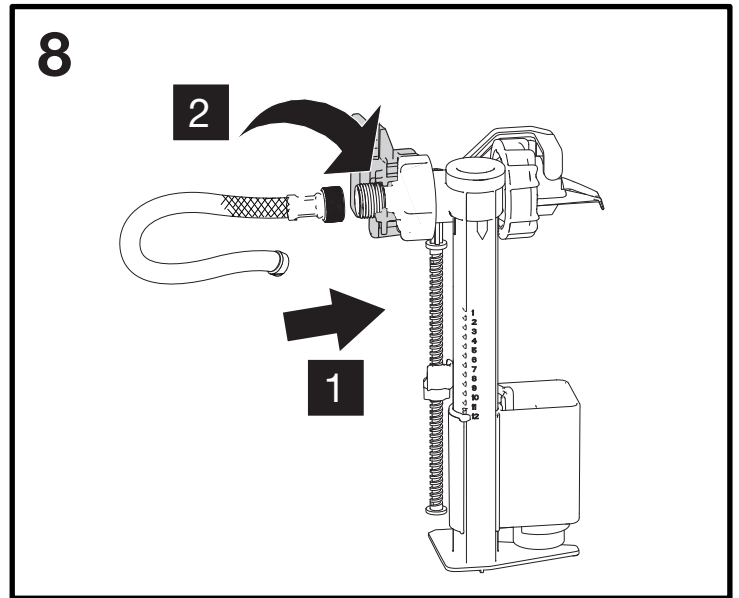
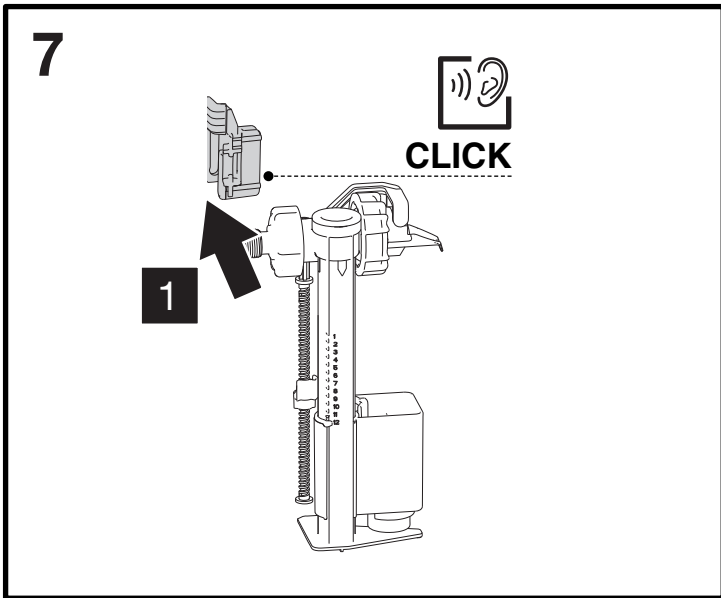
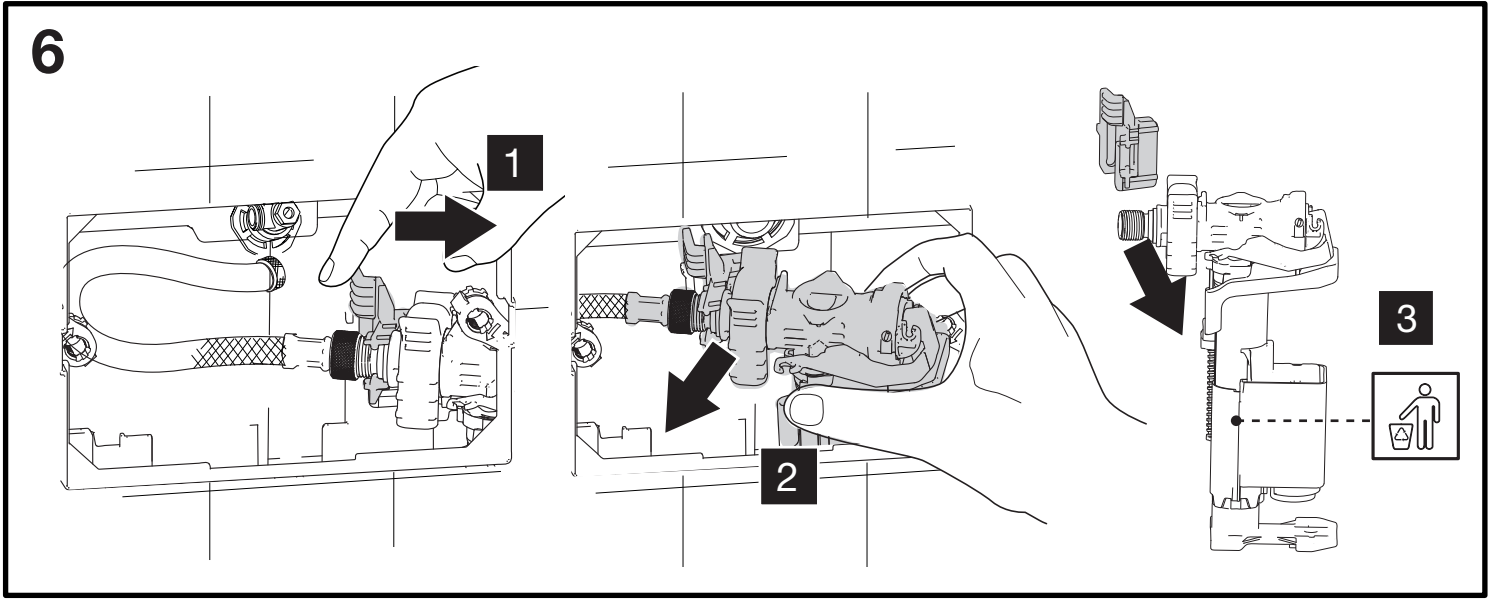
(dimensions in millimeters)





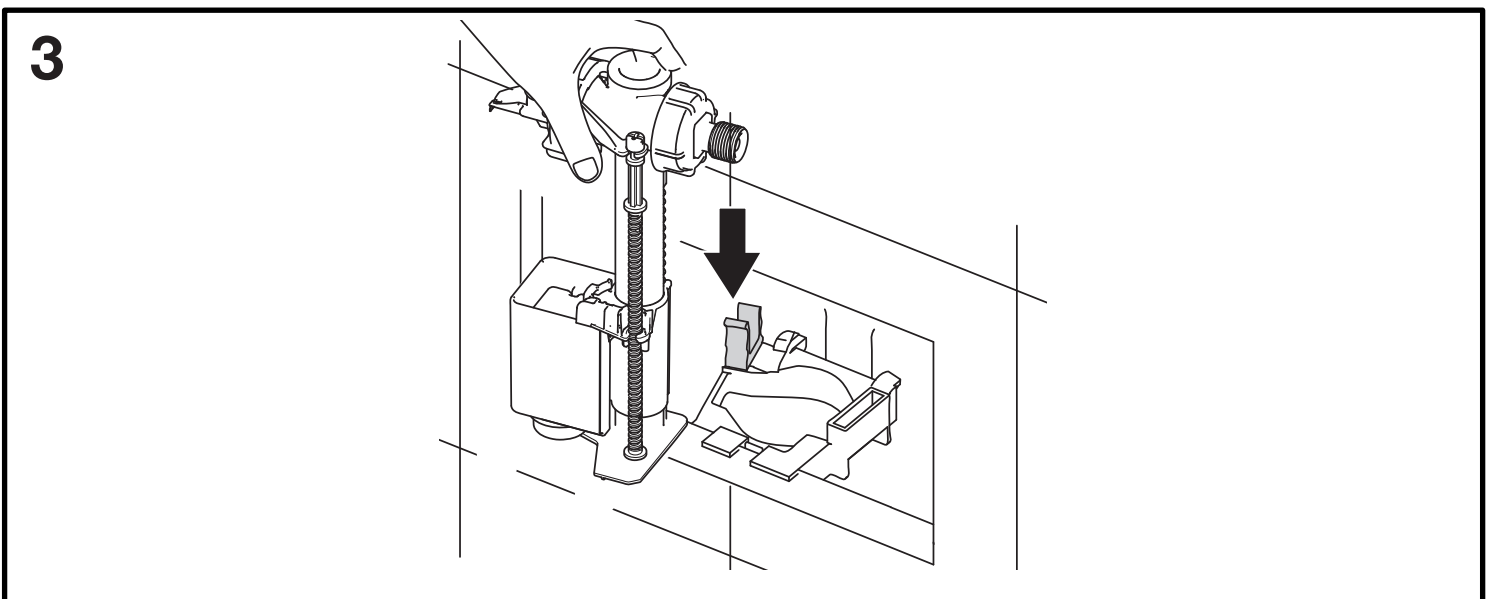
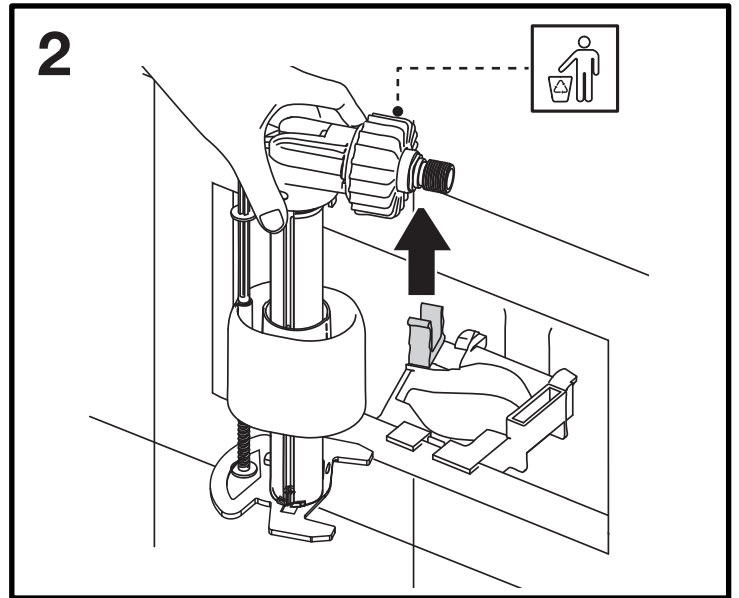
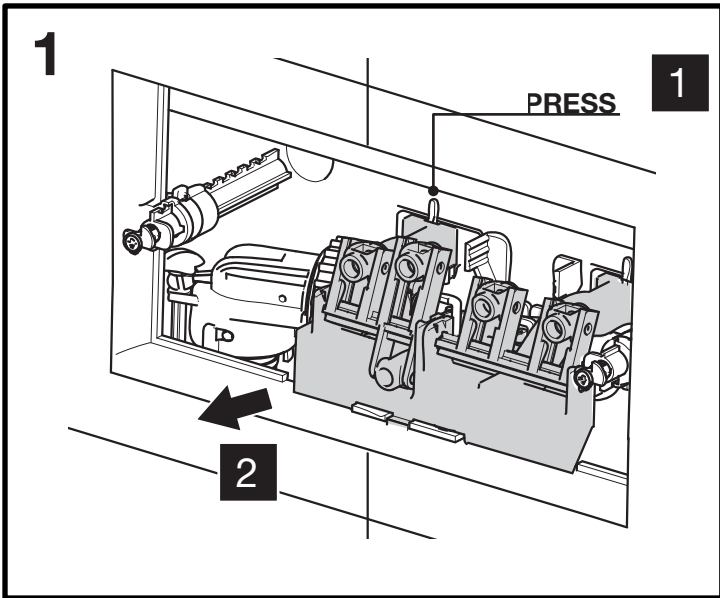
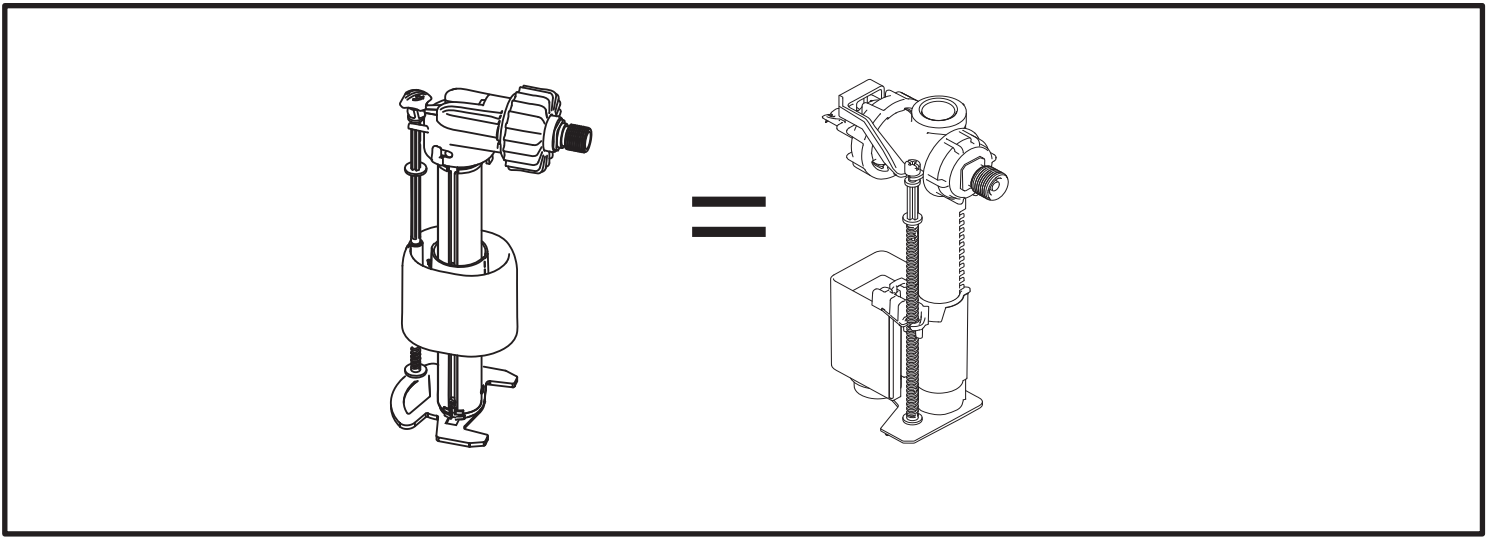
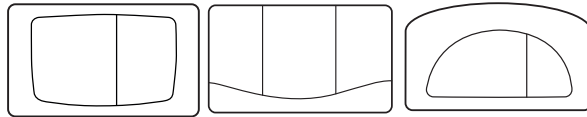
OLI: OLI120

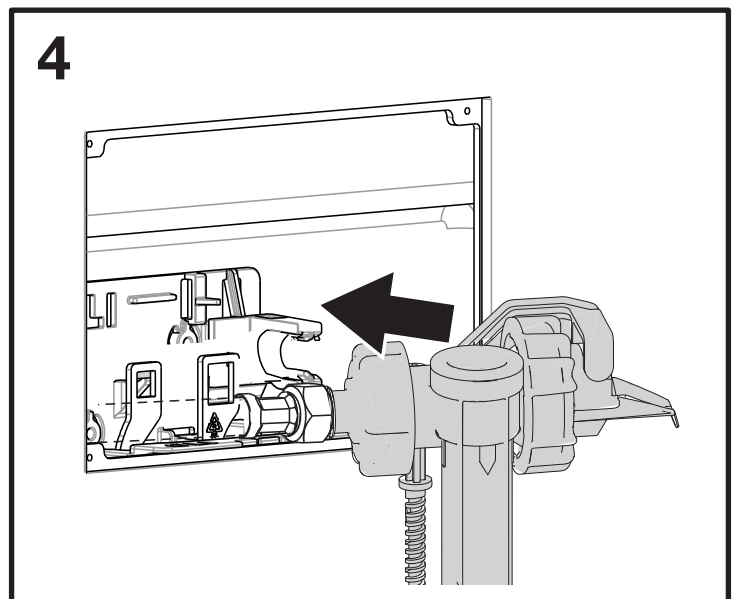
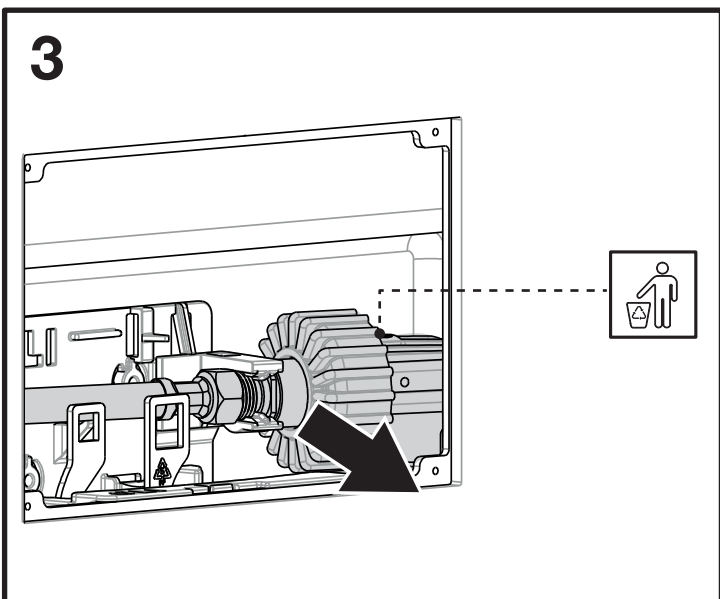
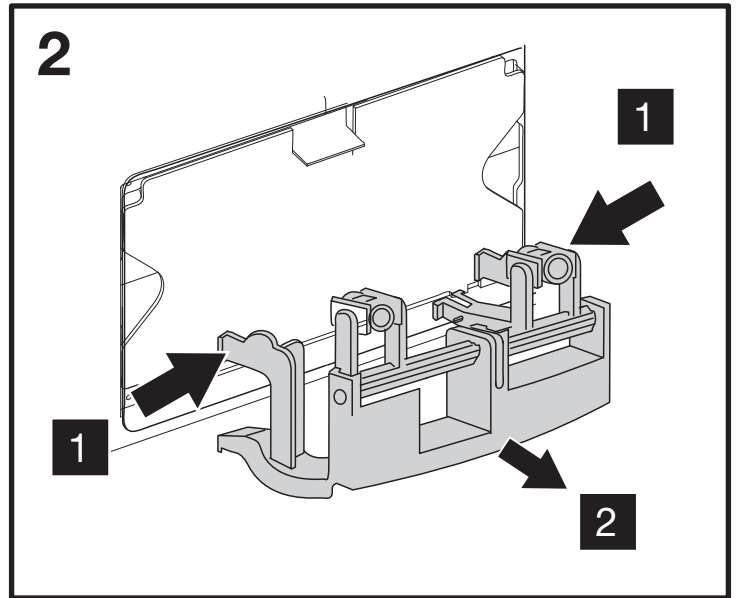
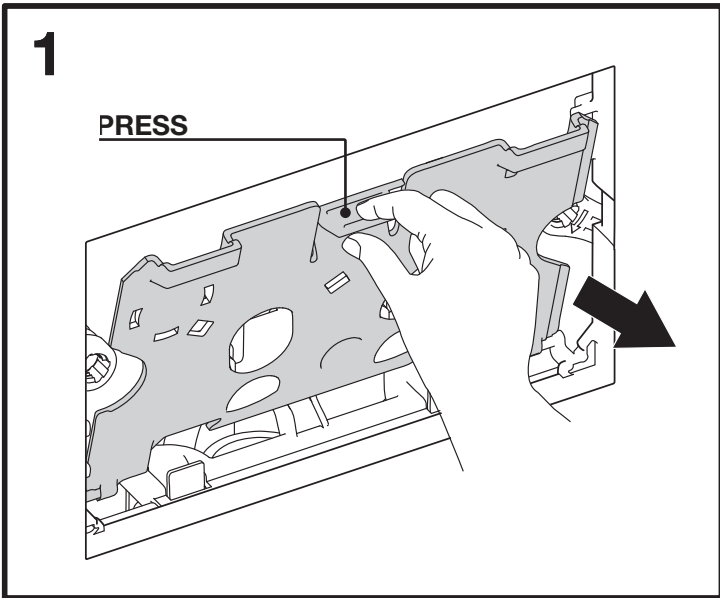
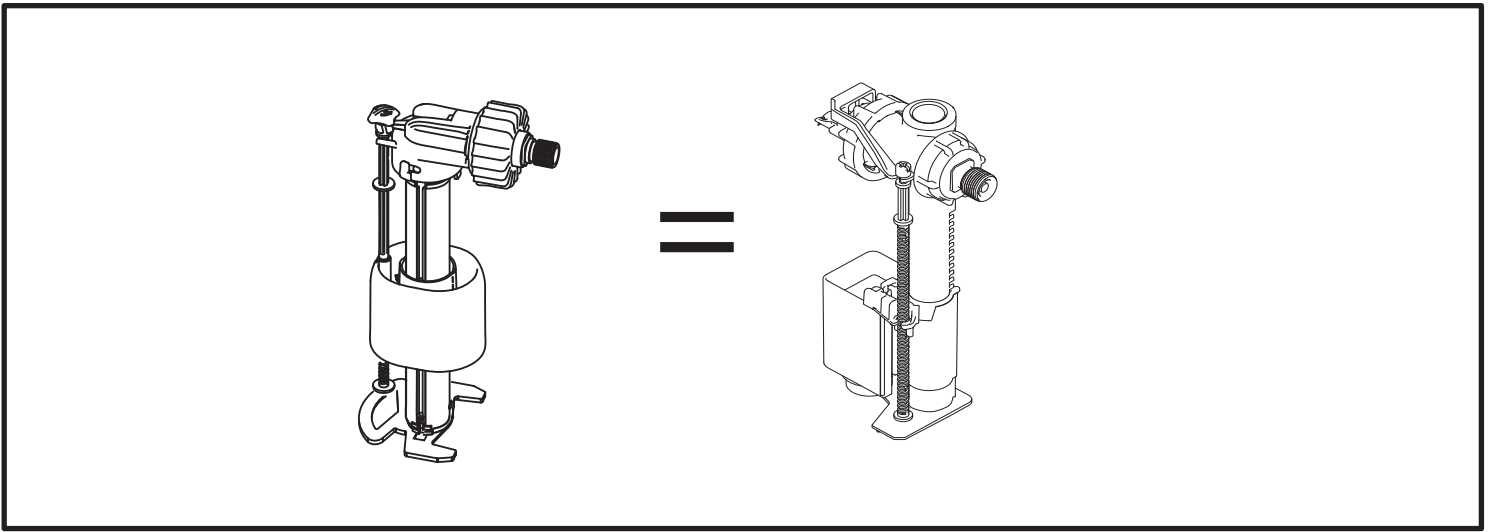
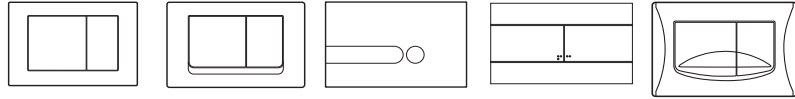




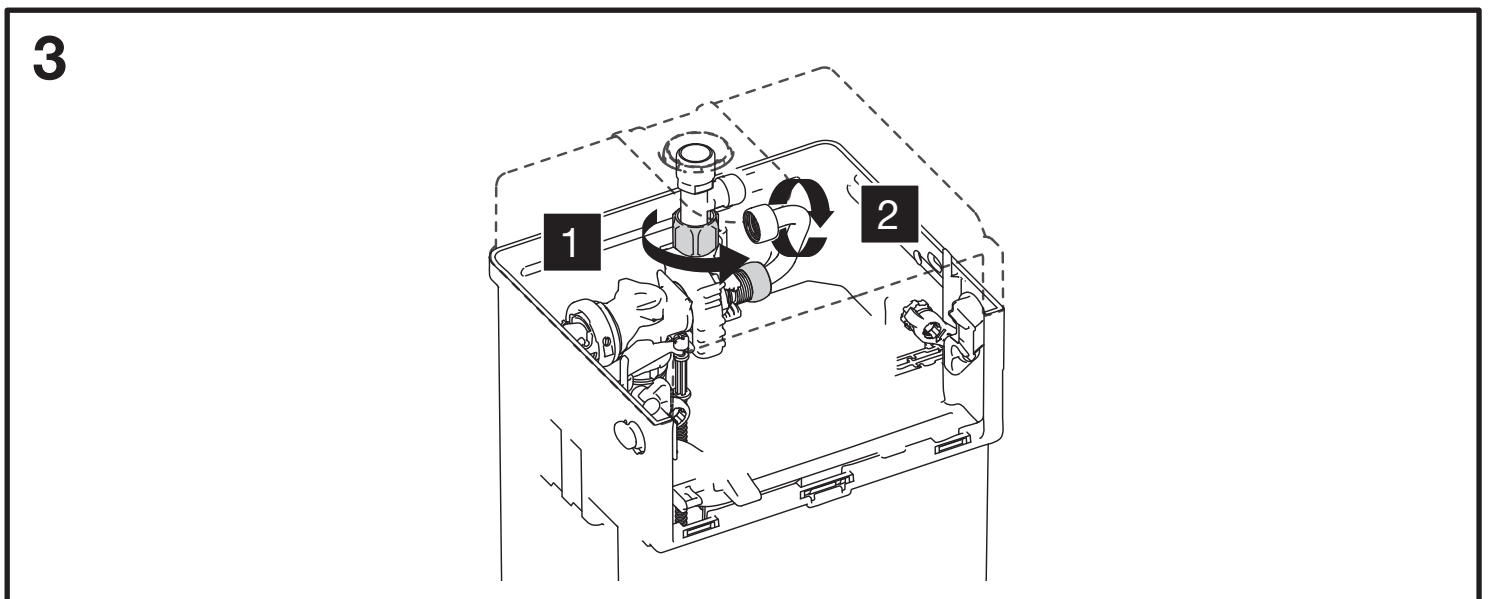
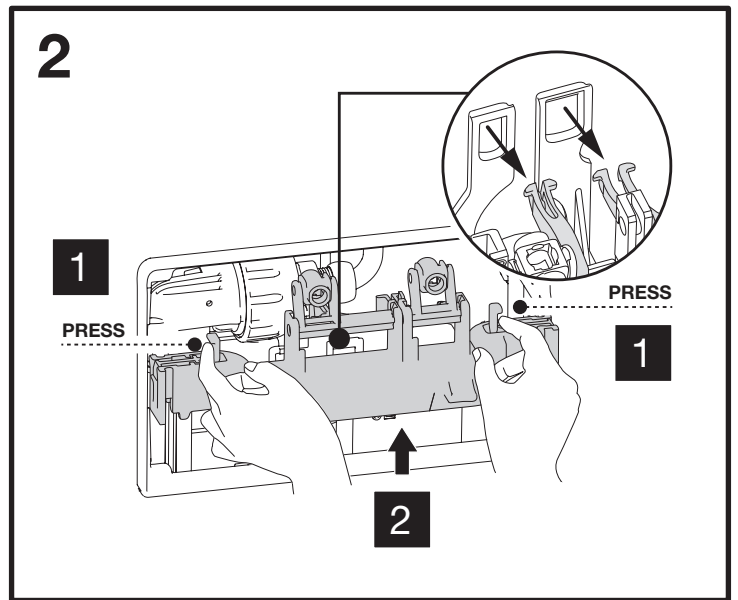
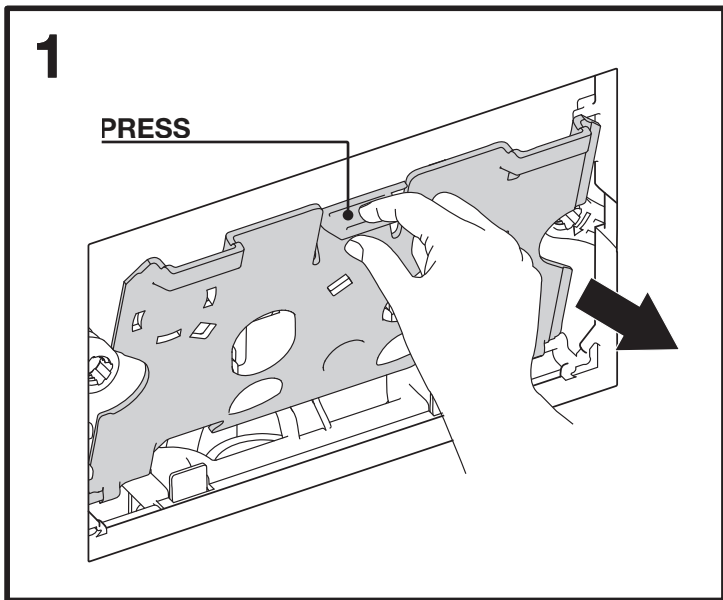
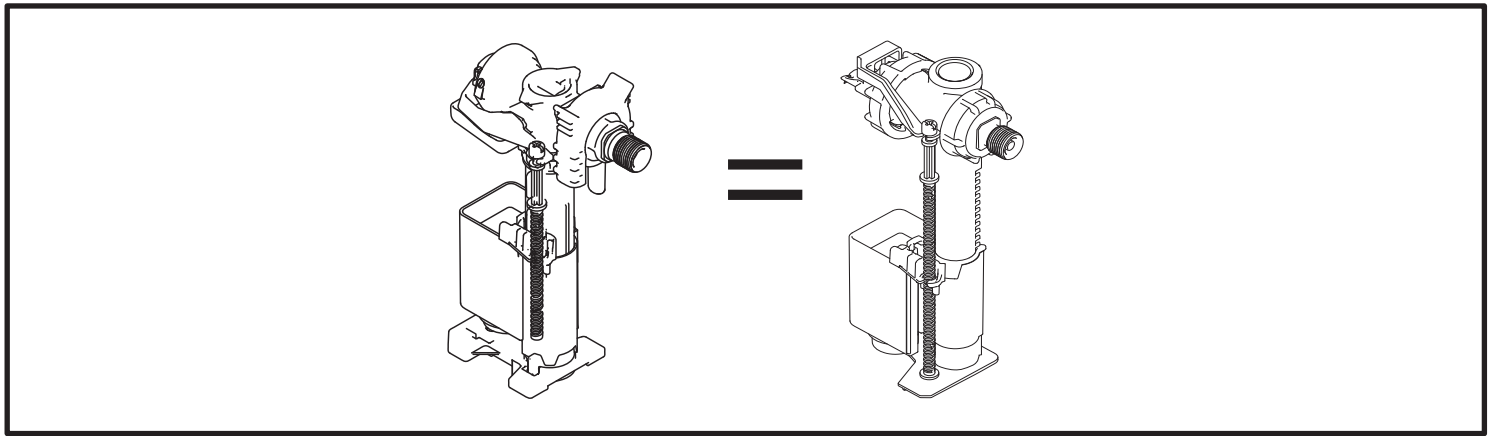
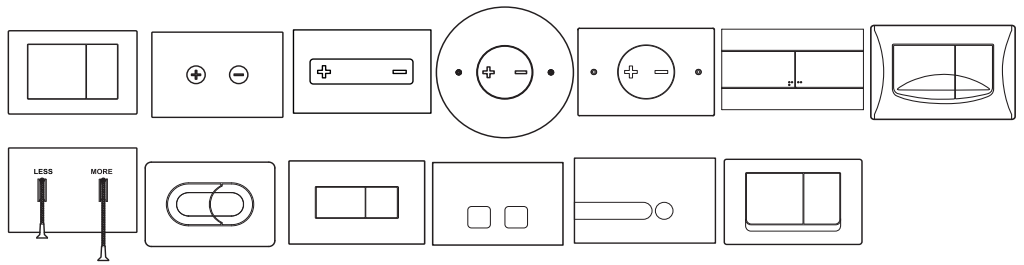


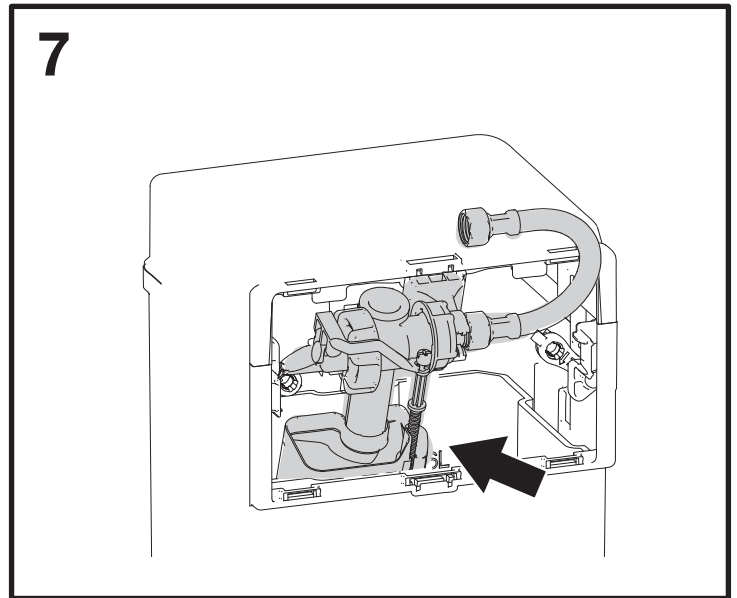
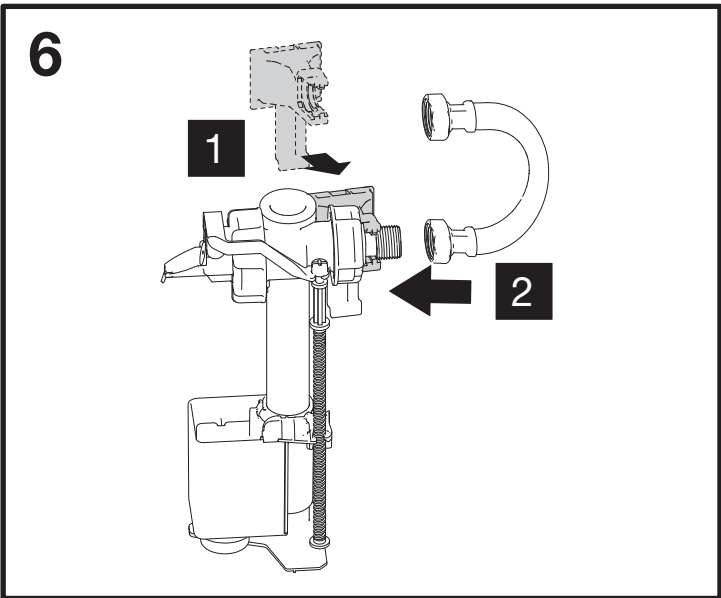
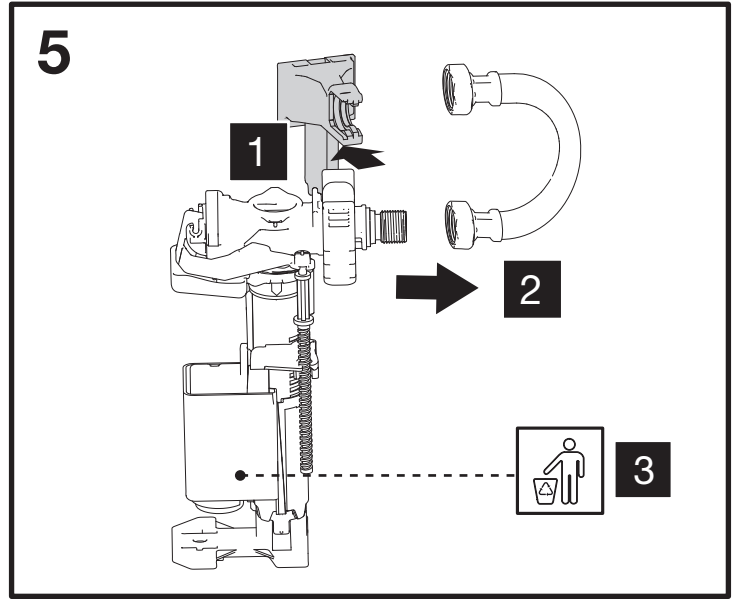
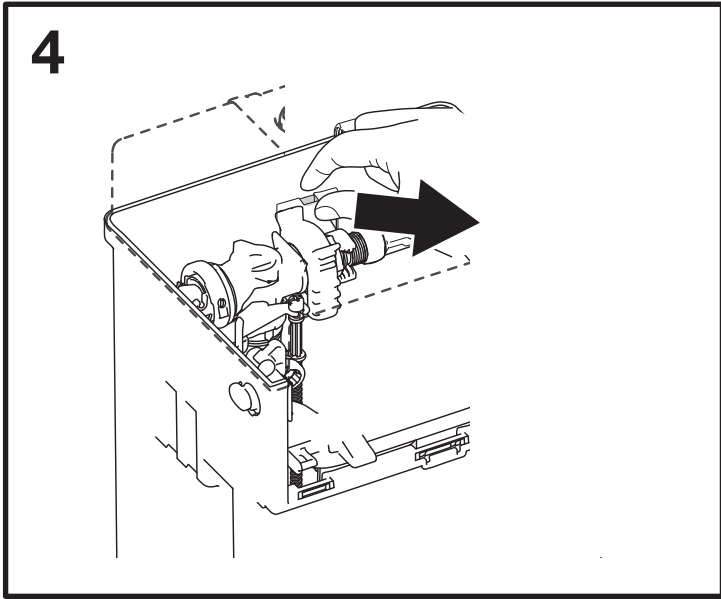
OLI: GIADA (1998-2010)

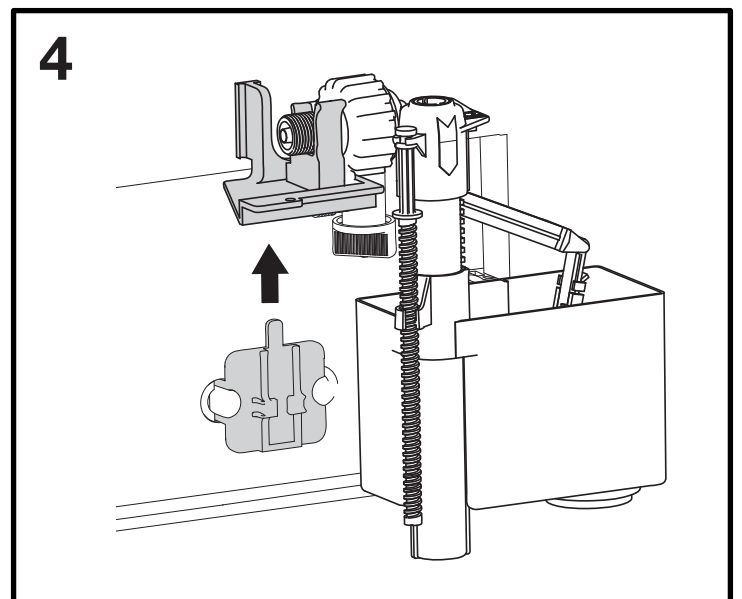
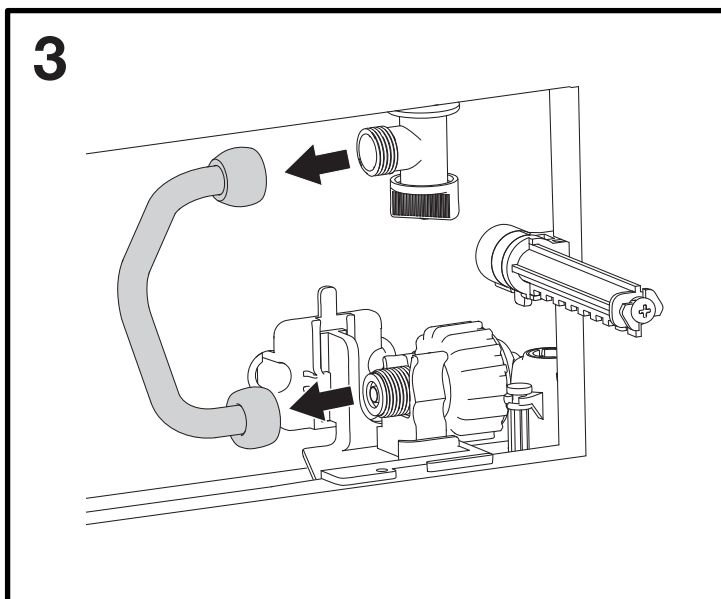
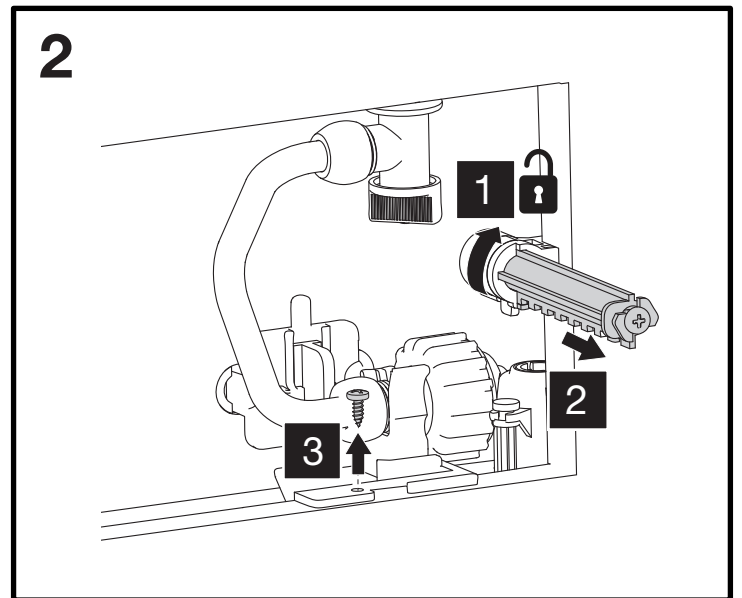
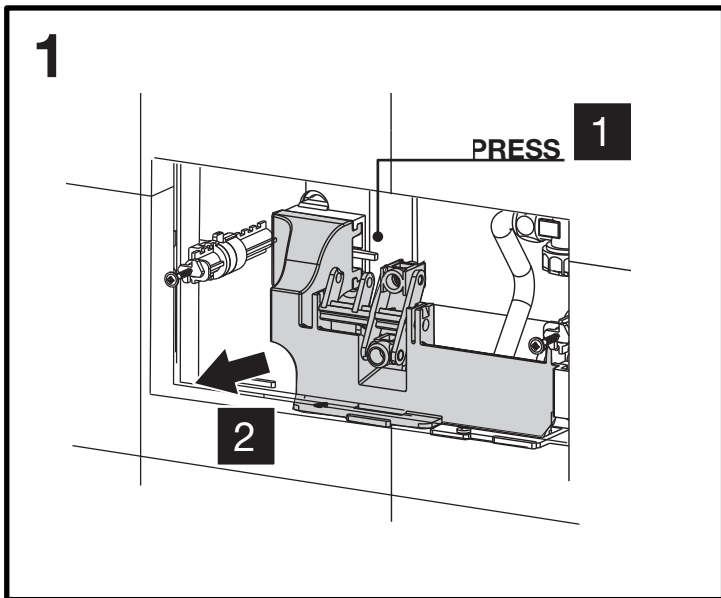
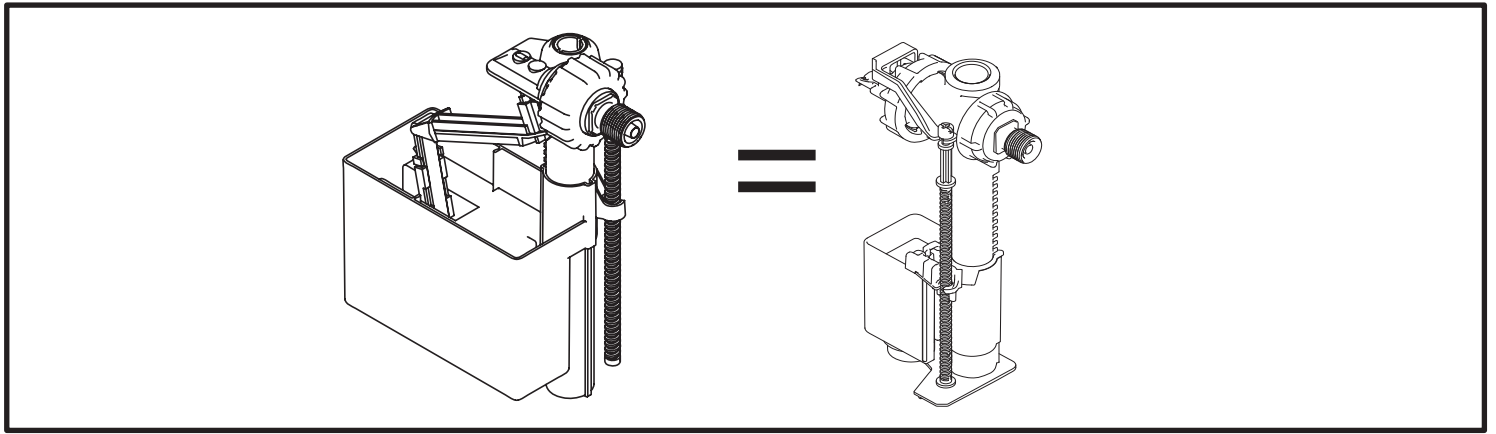
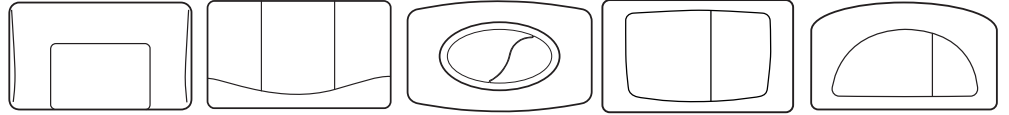


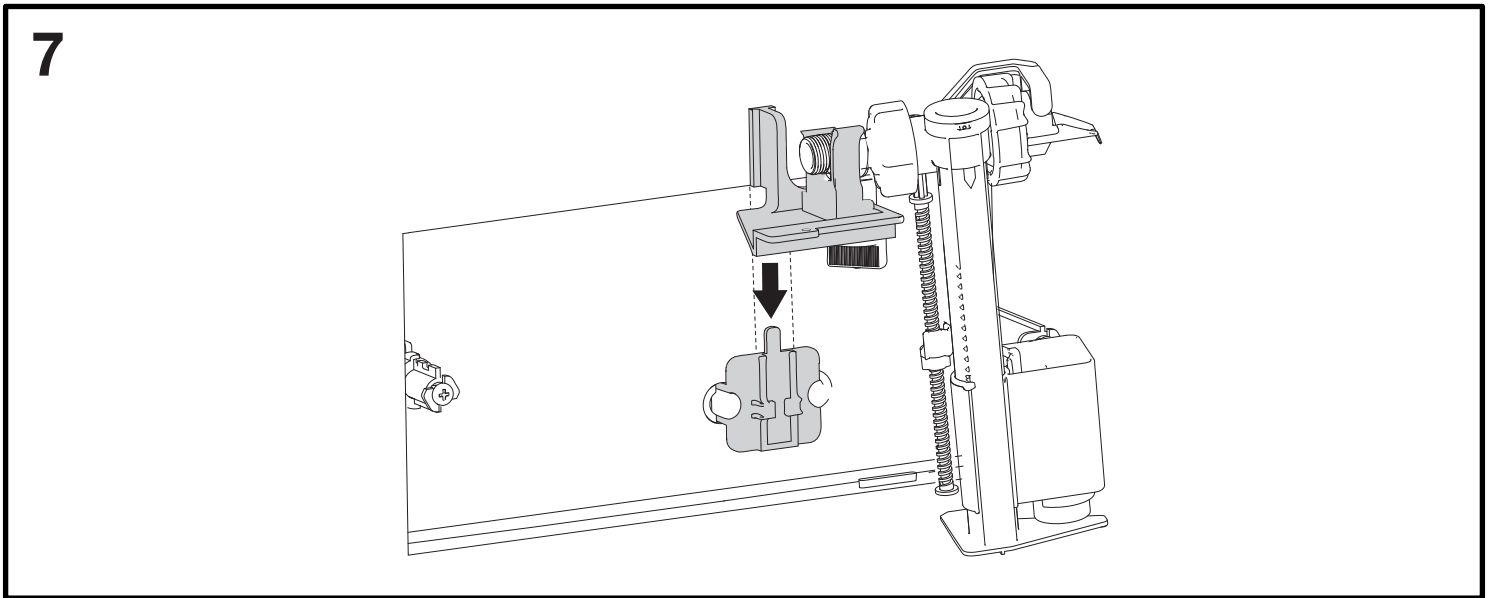
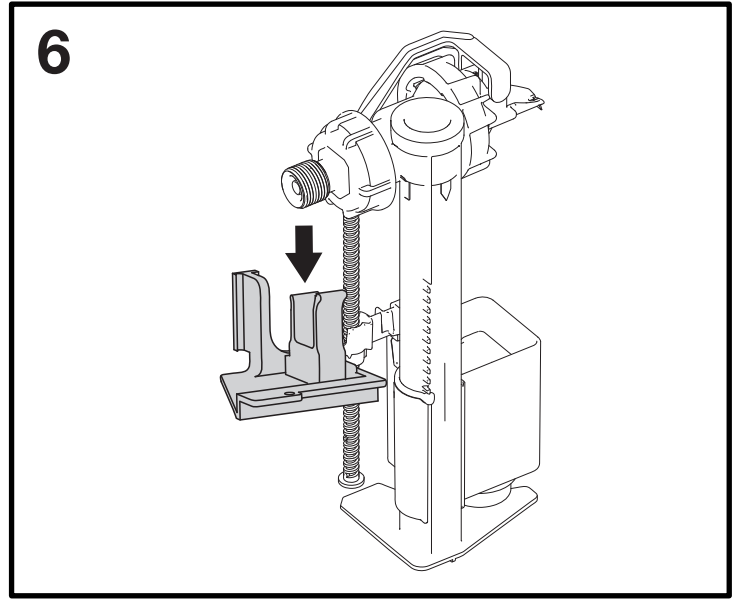
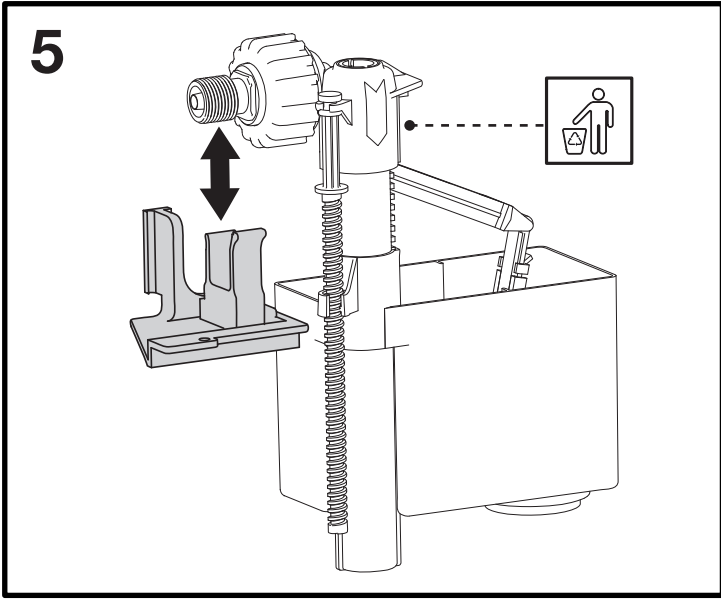


i OLI: QUADRA



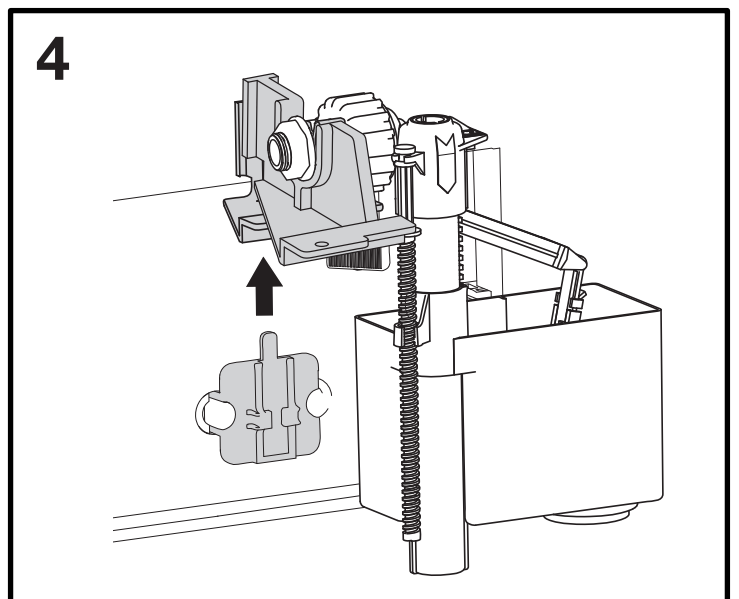
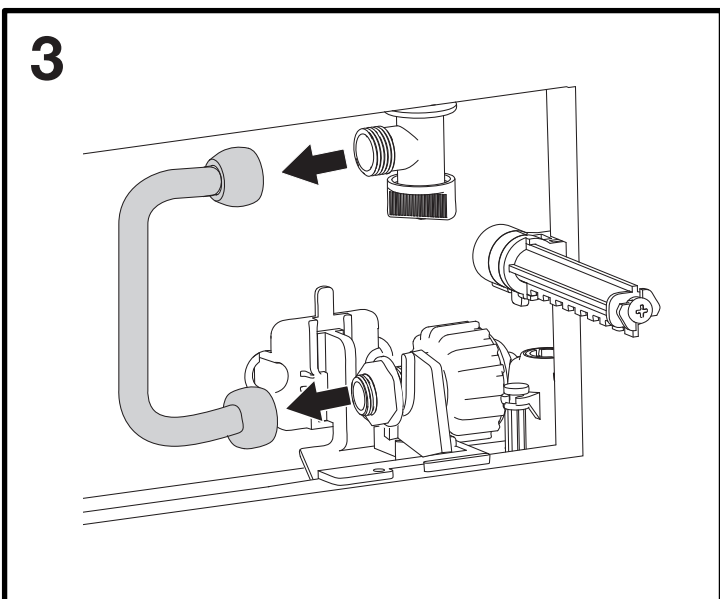
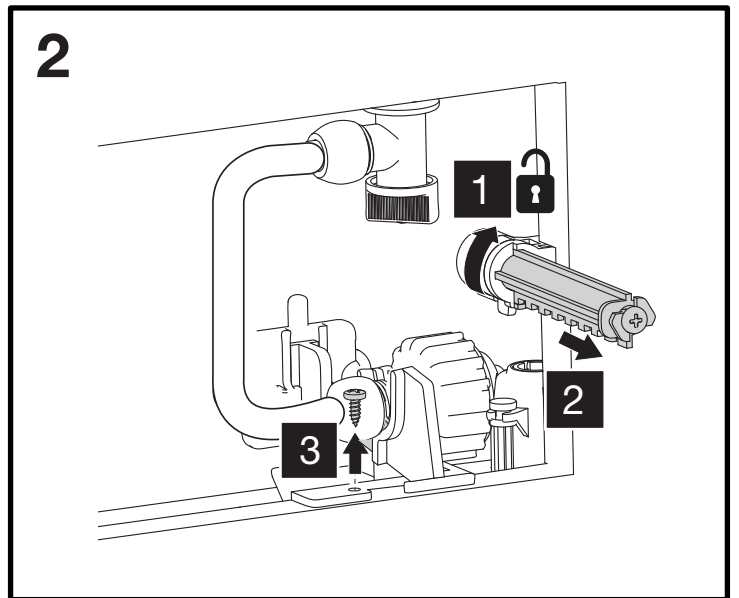
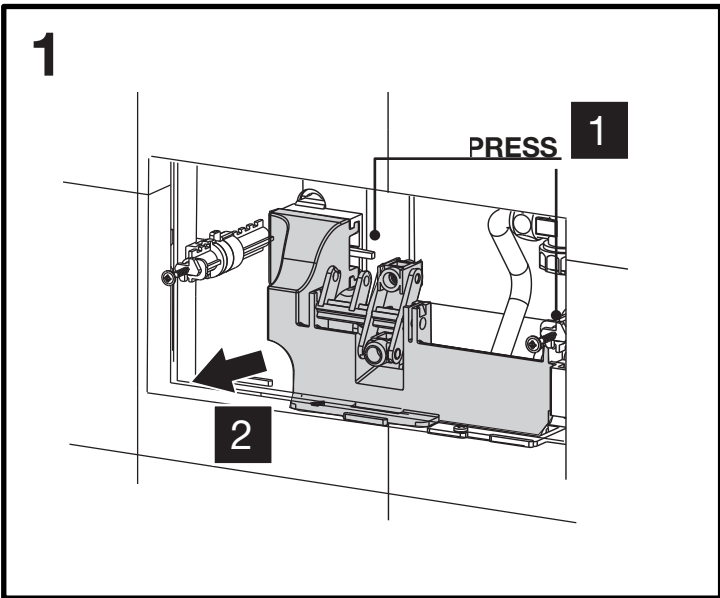
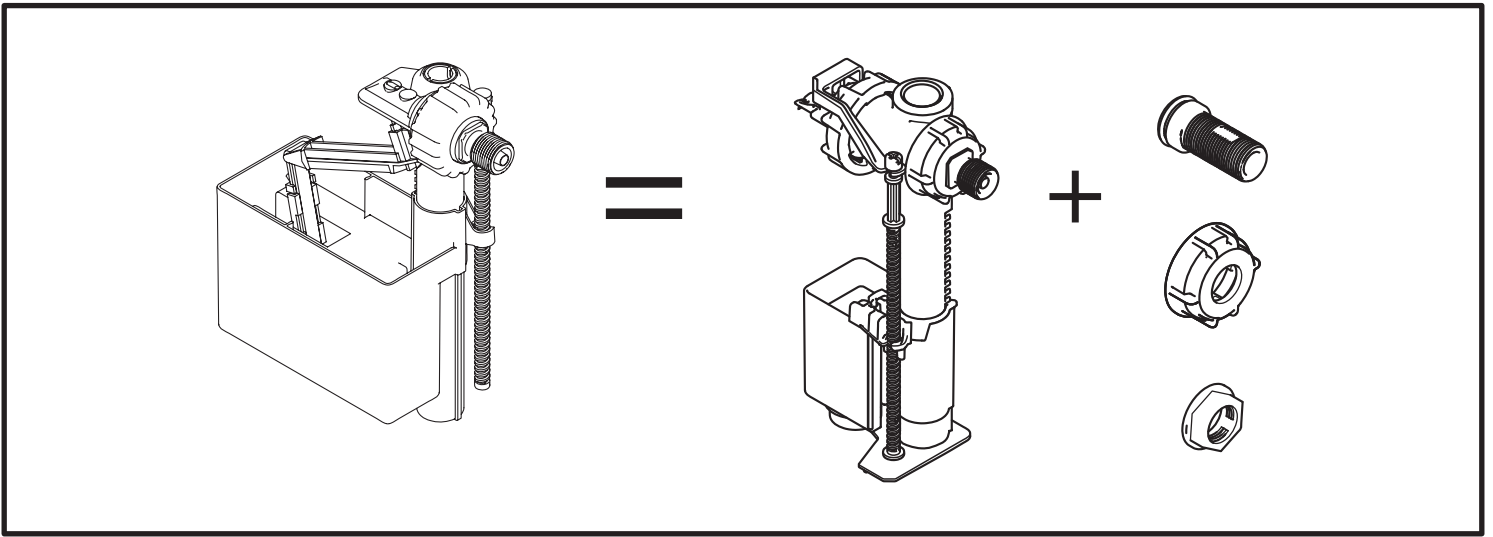
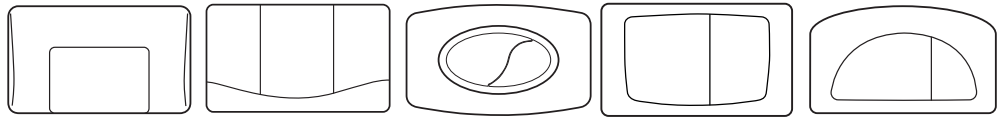


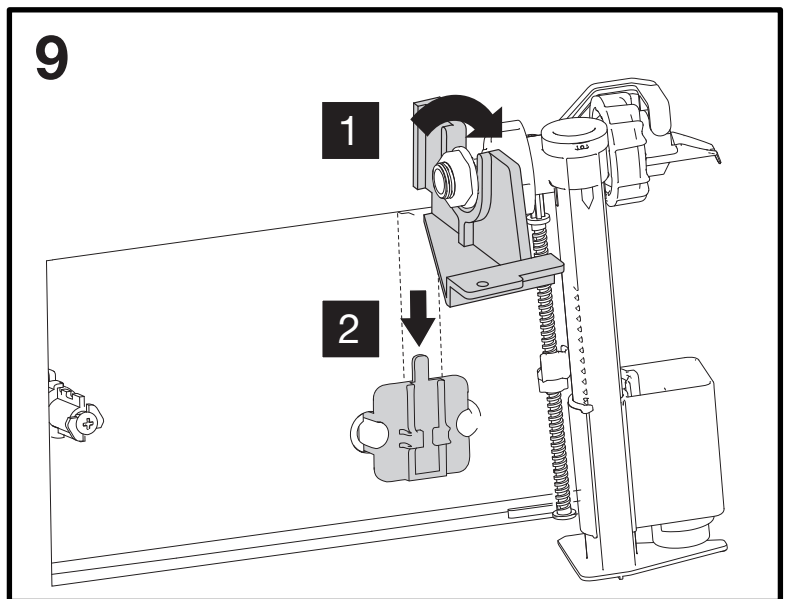
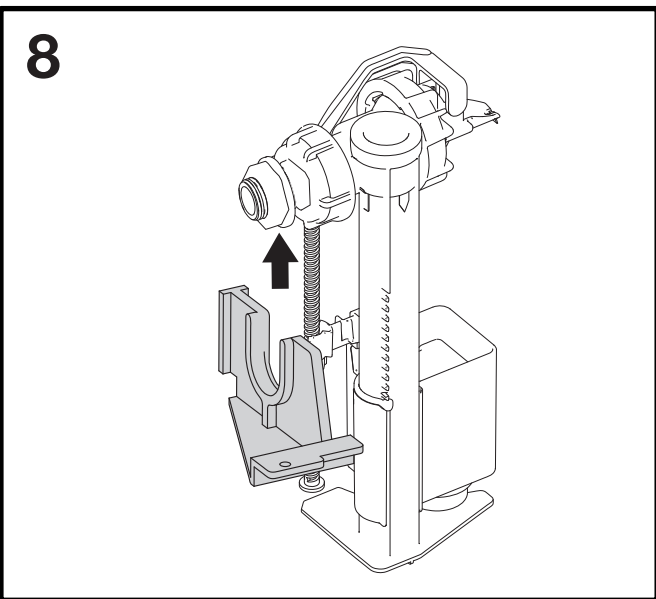
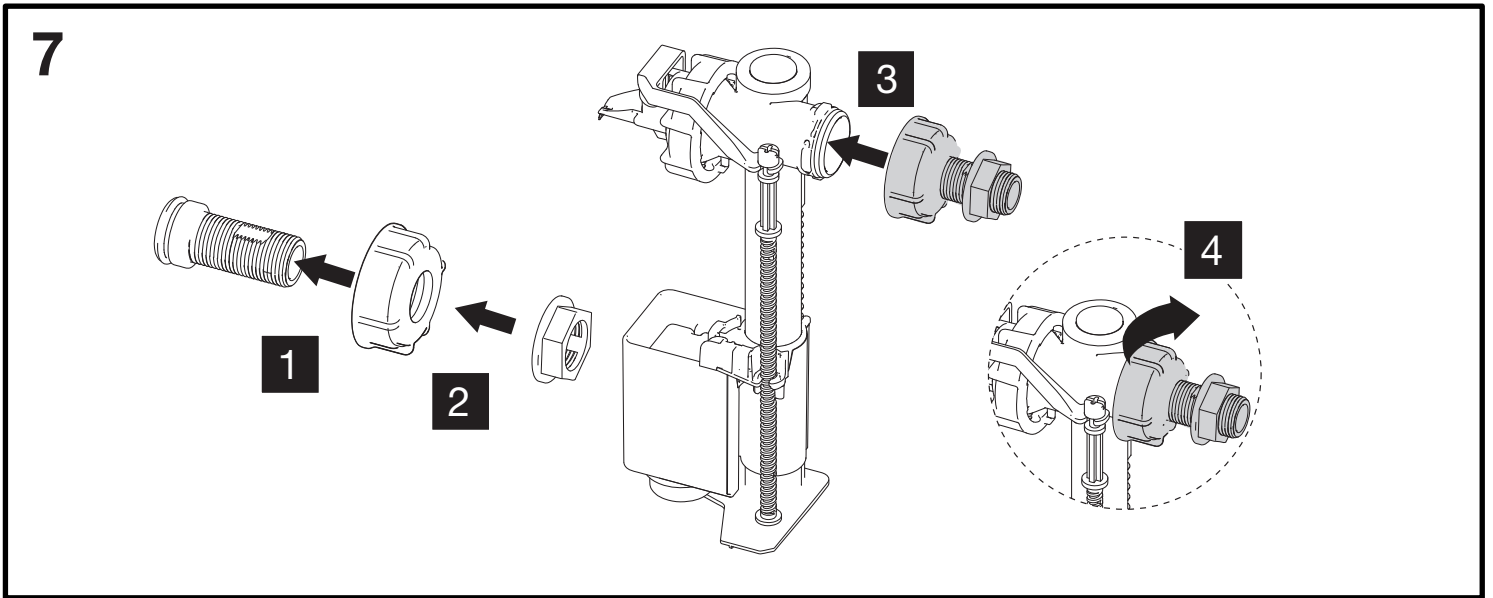
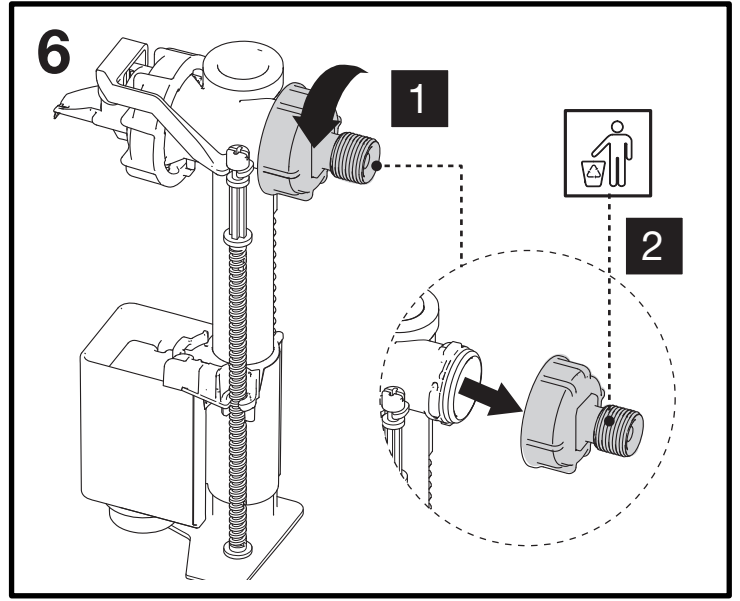
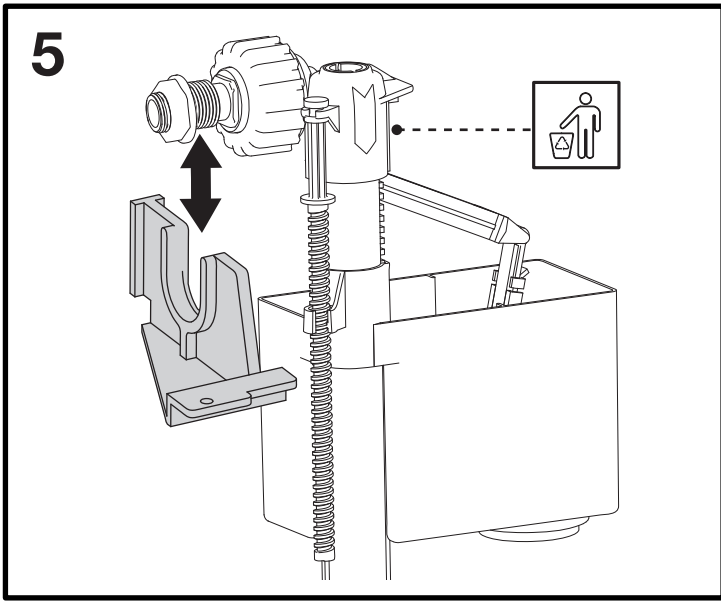






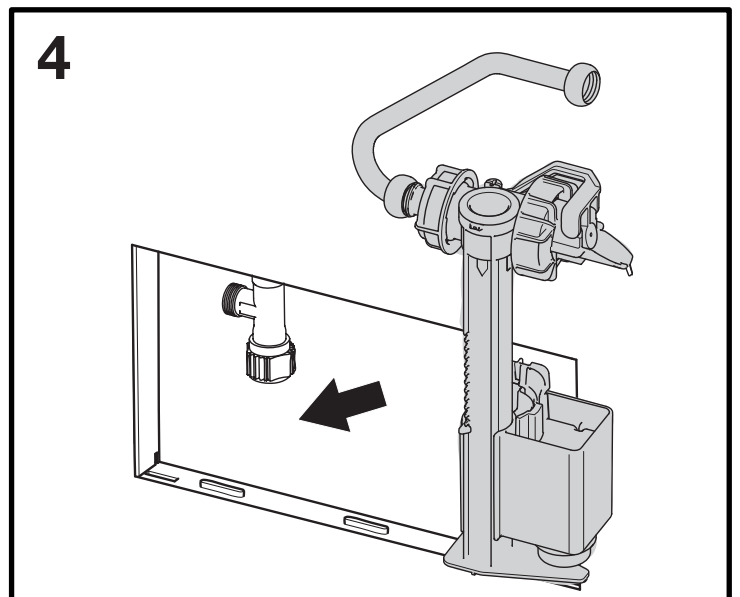
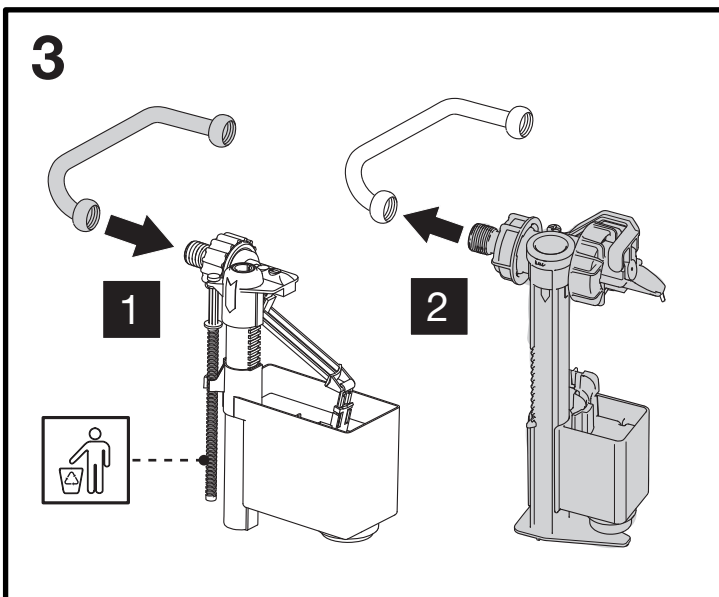
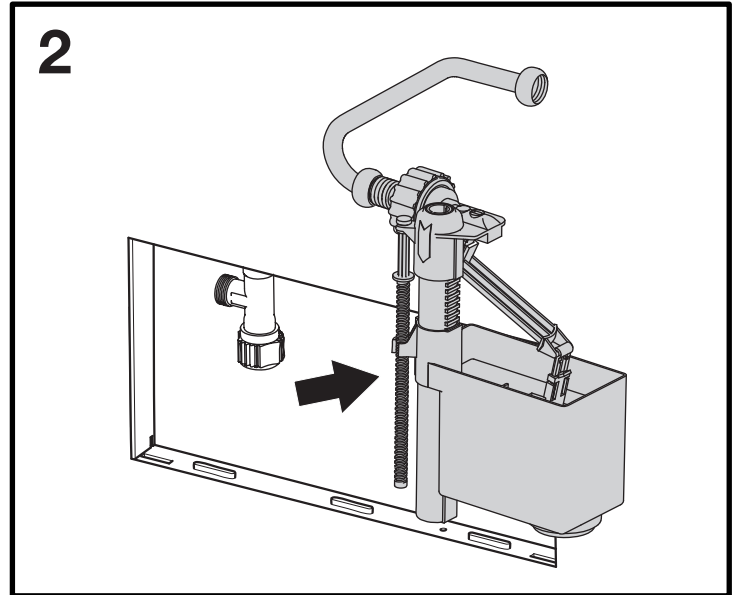
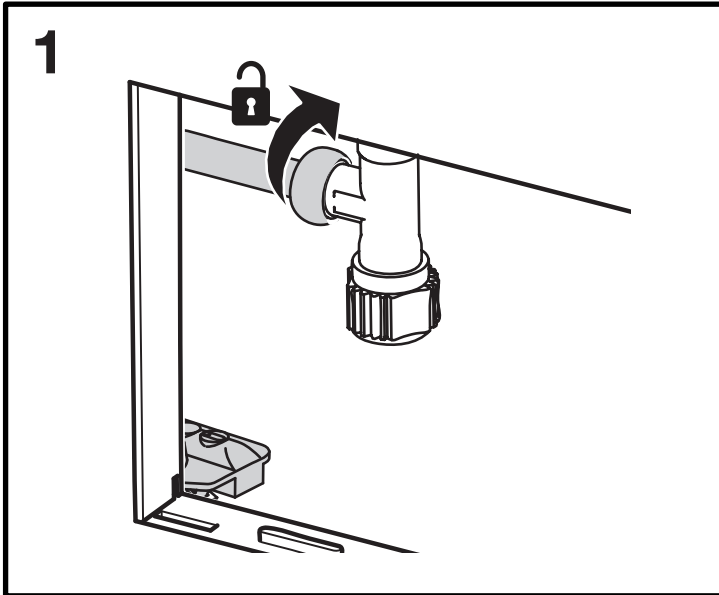
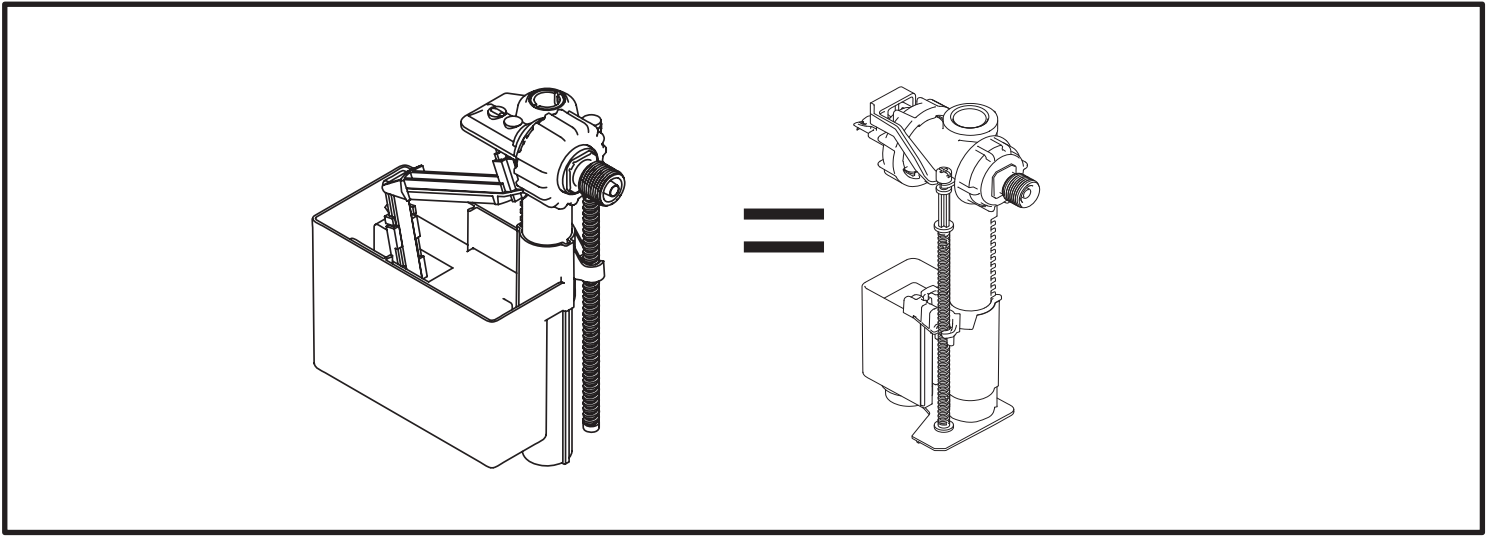
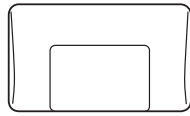
OLI: Diamante 00-02





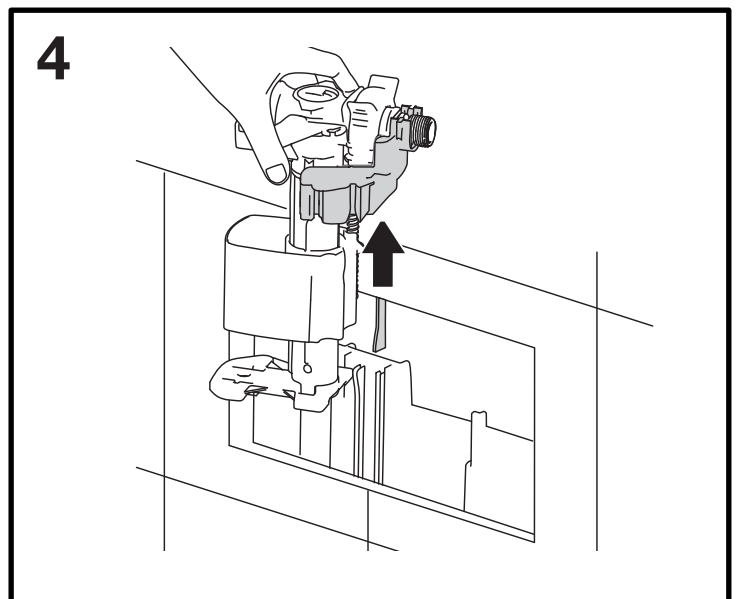
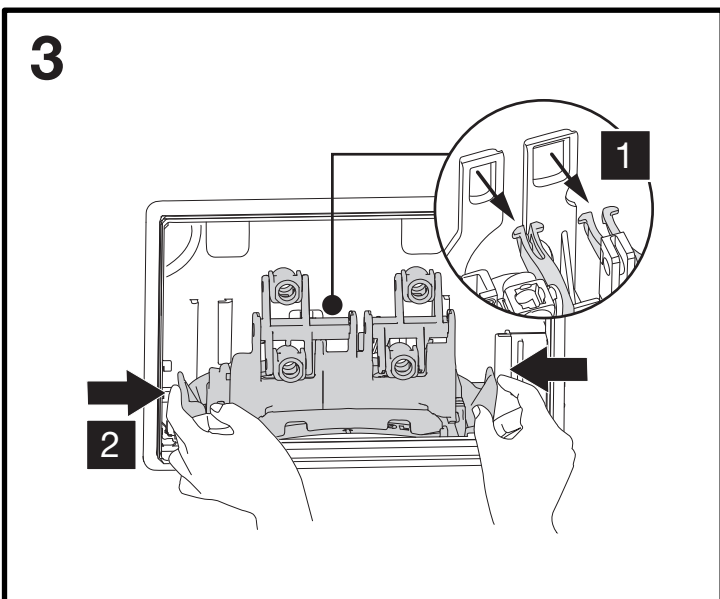
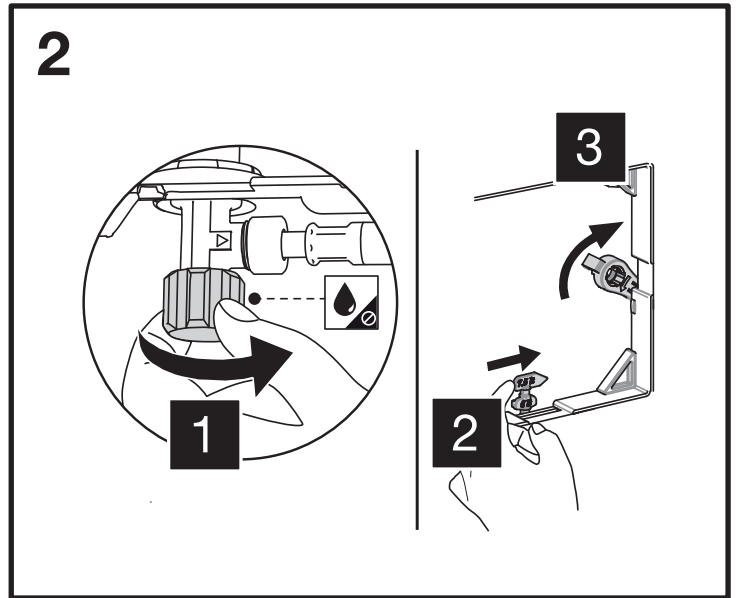
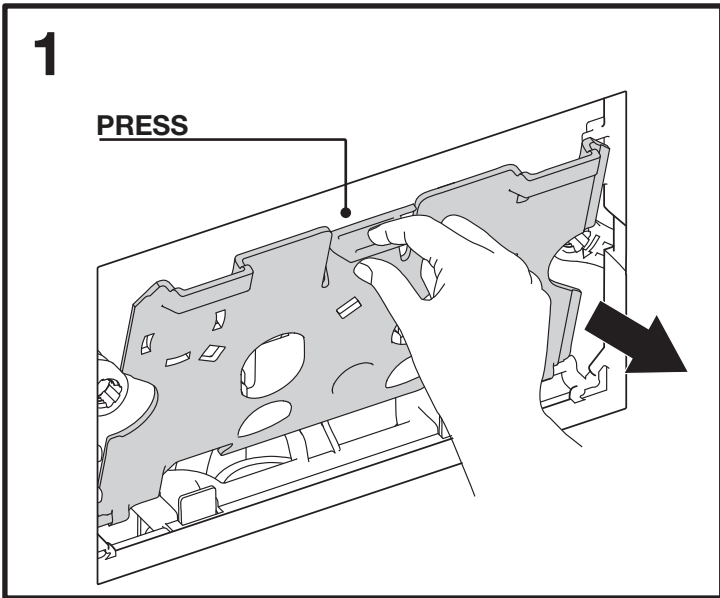
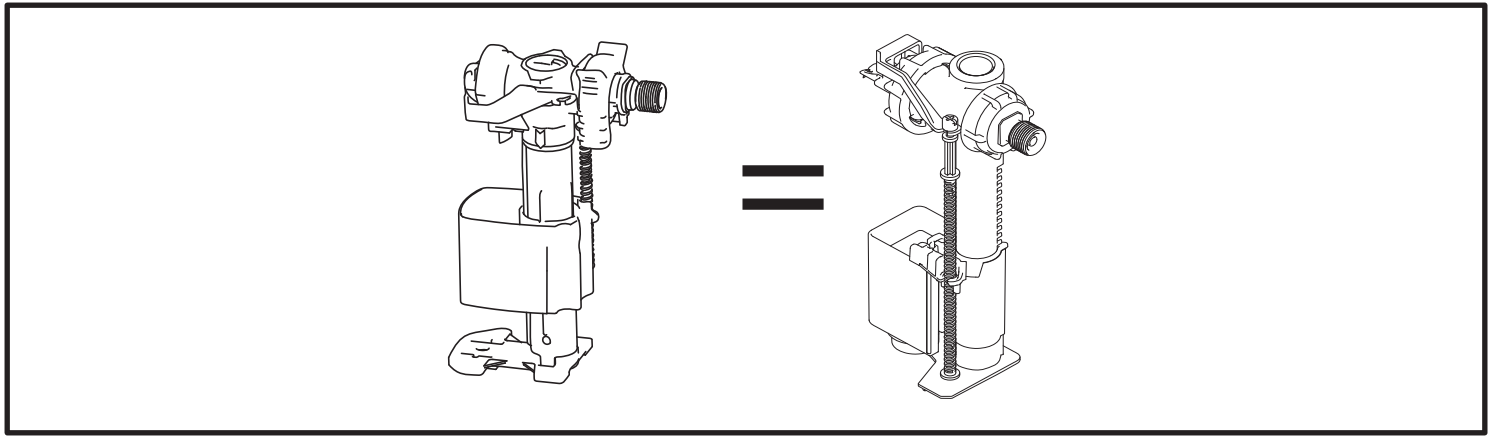
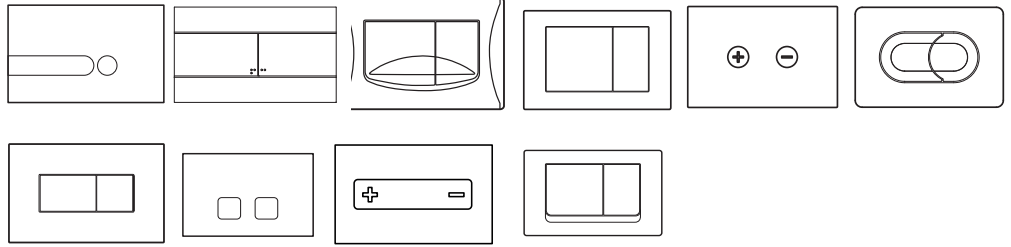


OLI: Diamante 93-99

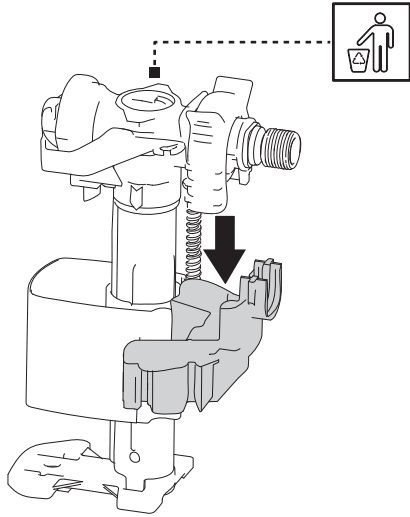




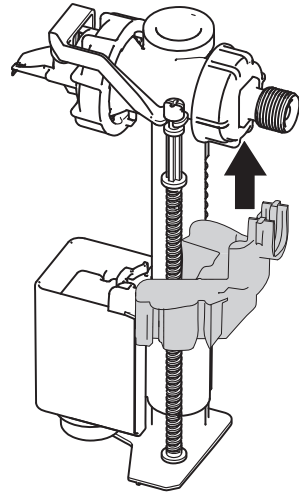
OLI: EXPERT PLUS



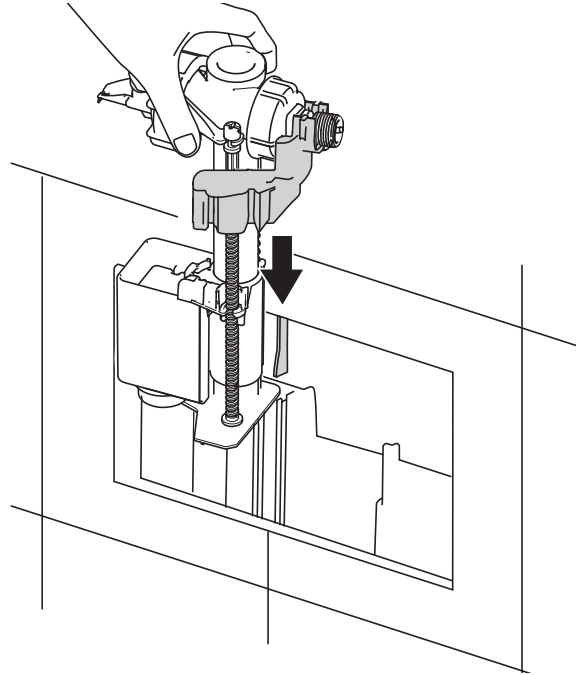
5

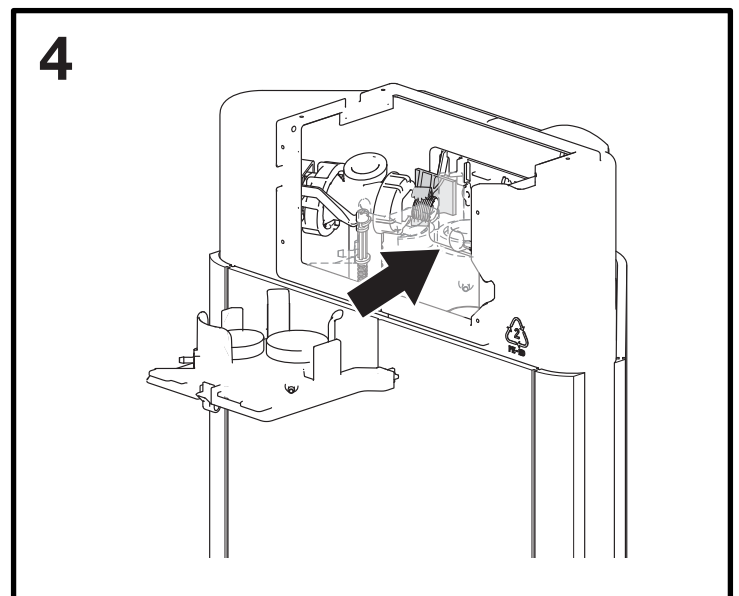
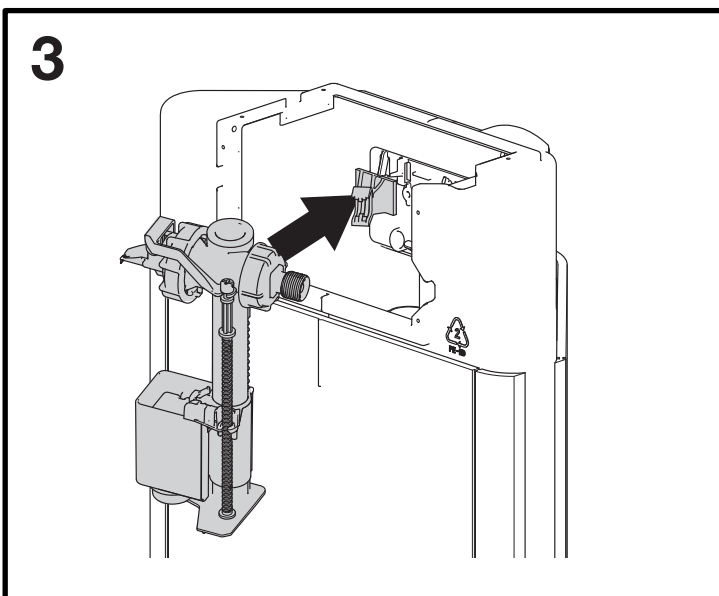
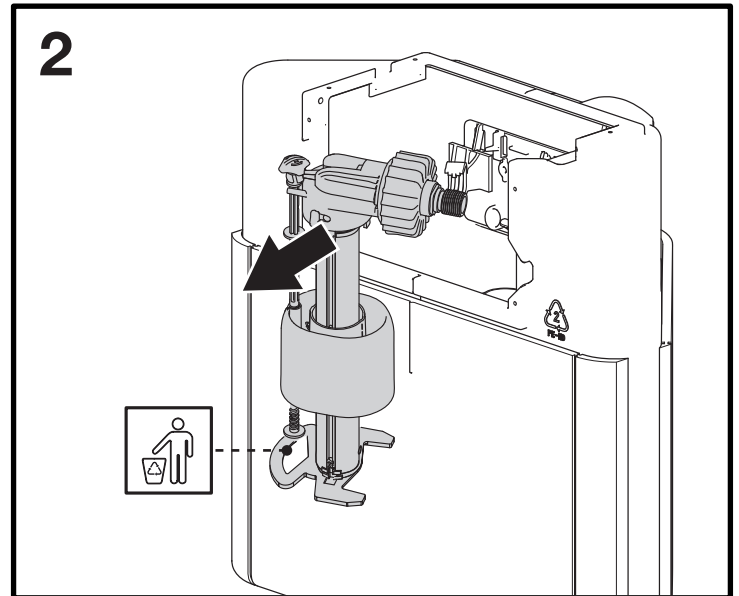
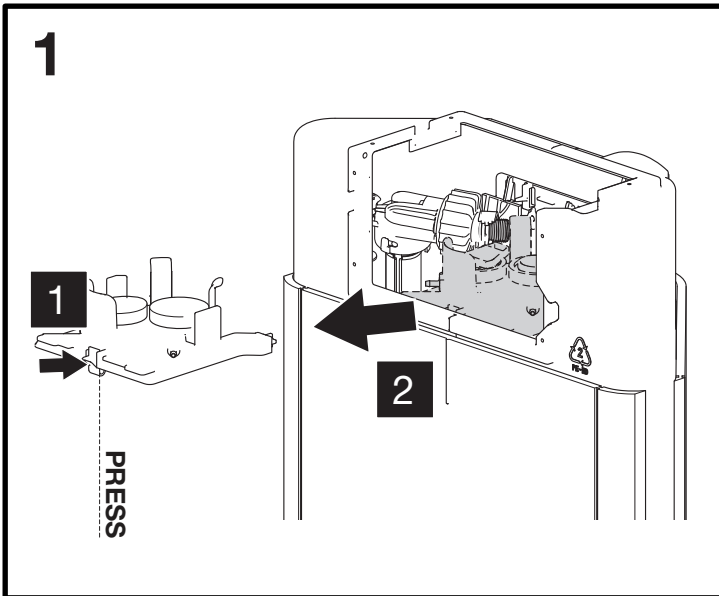
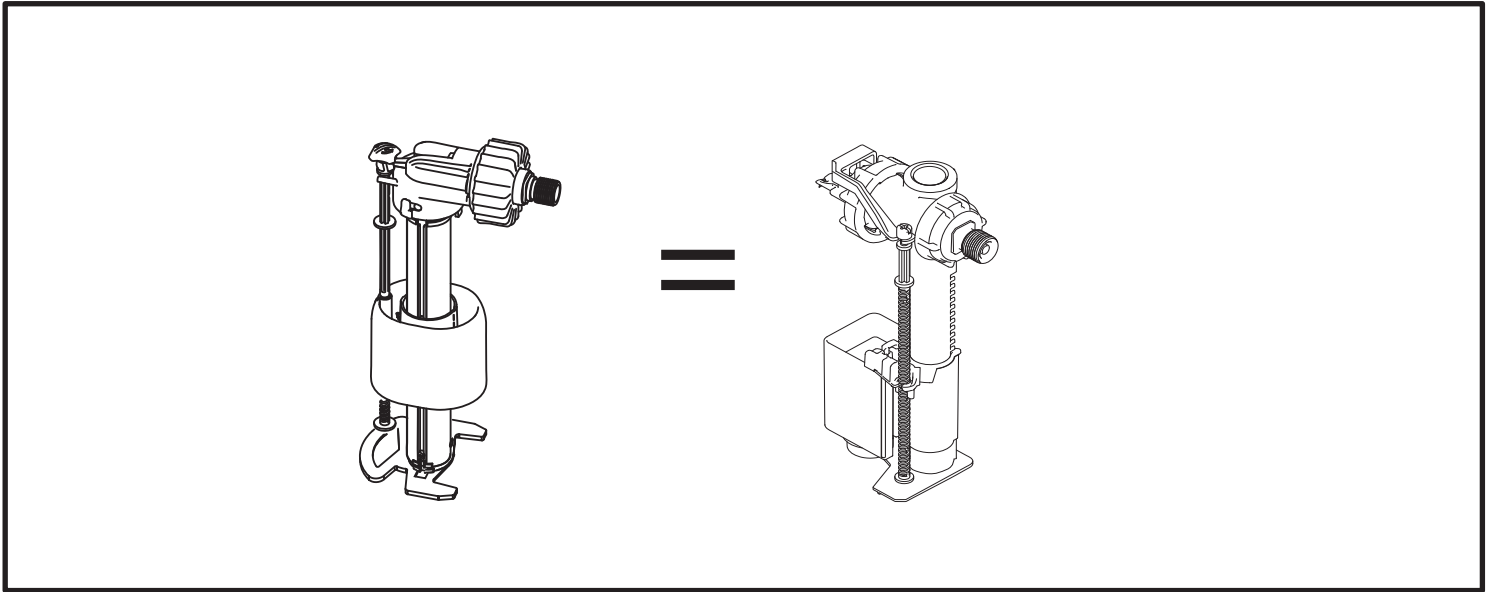
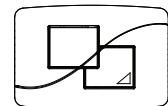
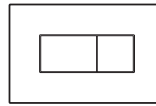
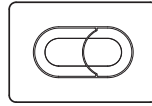


6



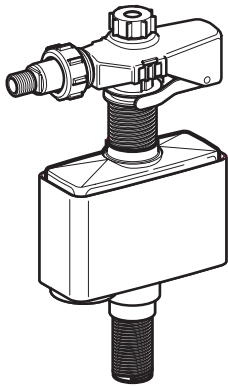
7



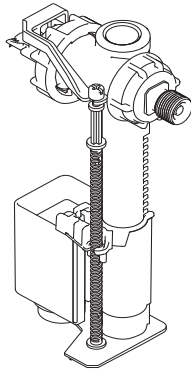




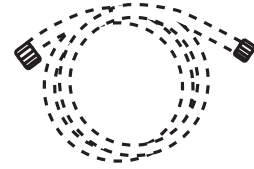
*GEBERIT® TWILINE UP170 (1989-2004)



=



+

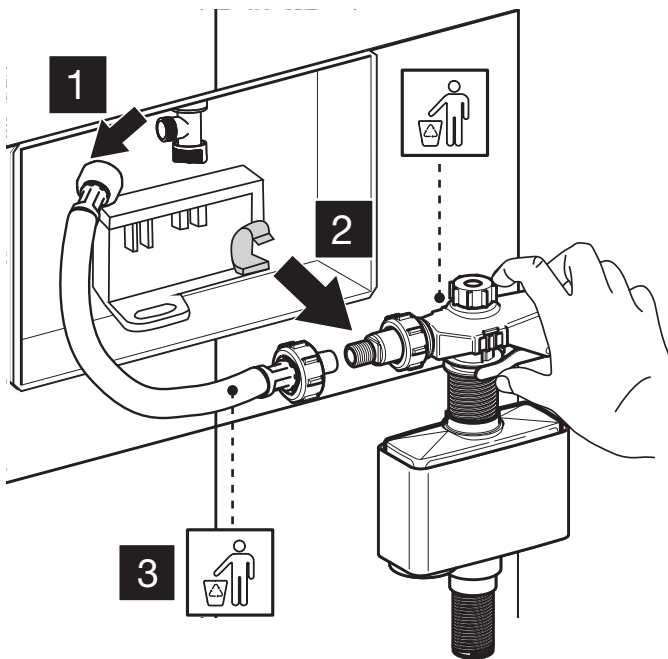


OPTIONAL UNIVERSAL FLEX

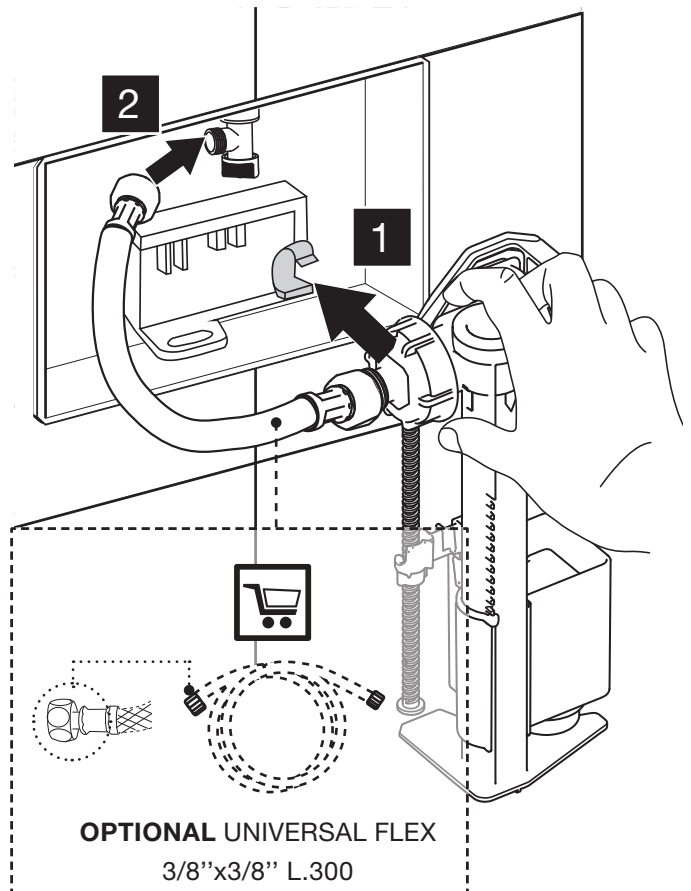
3/8"x3/8" L.300

*Are not OLI registered trademark

1



2

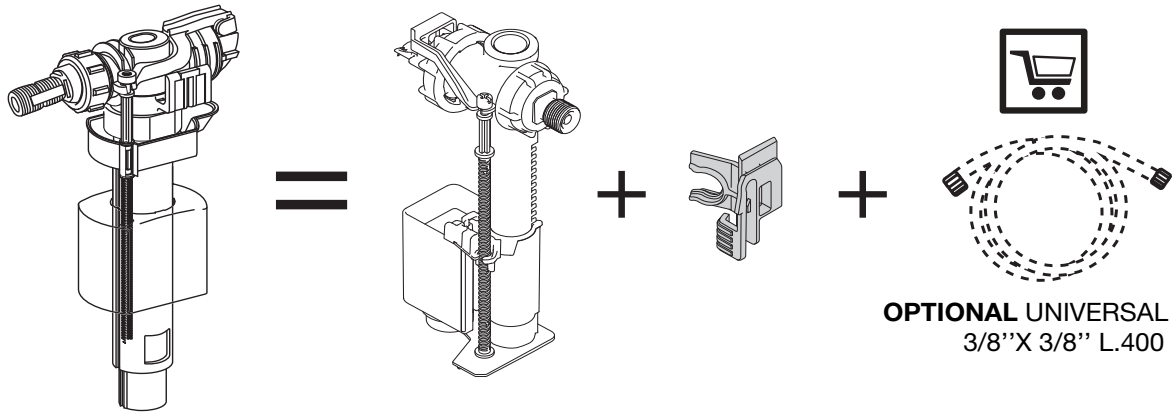


OPTIONAL UNIVERSAL FLEX

3/8"x3/8" L.300

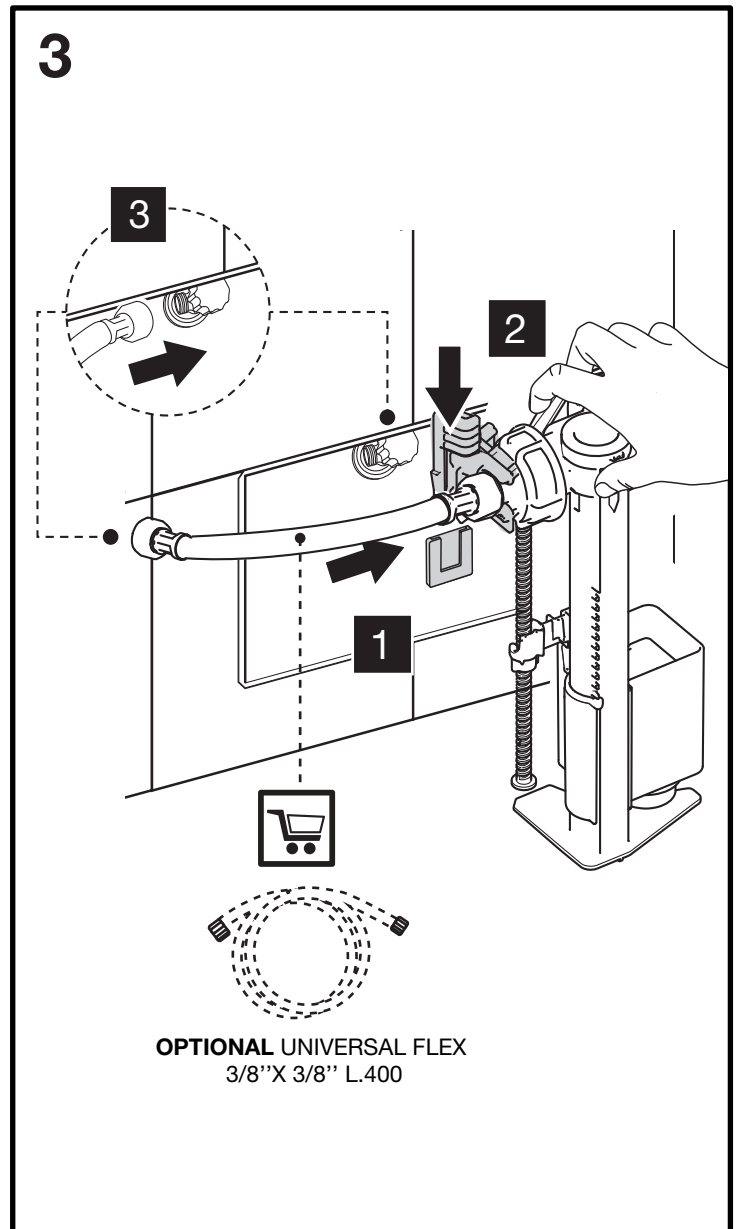
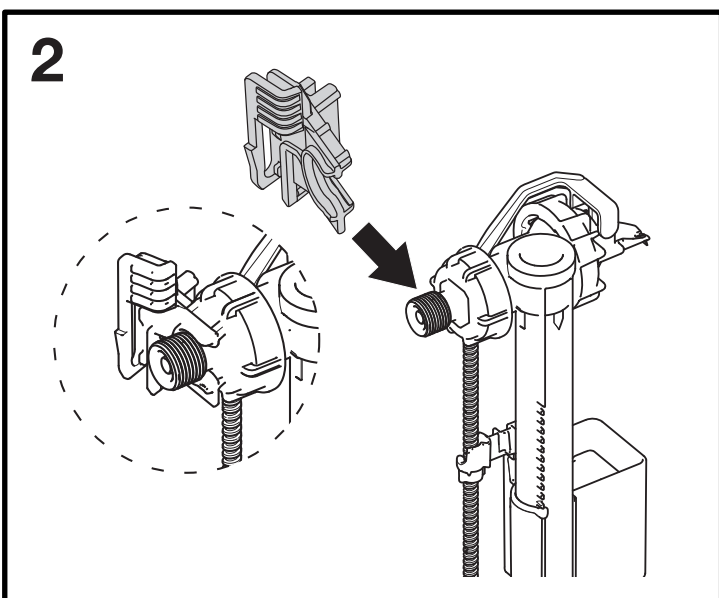
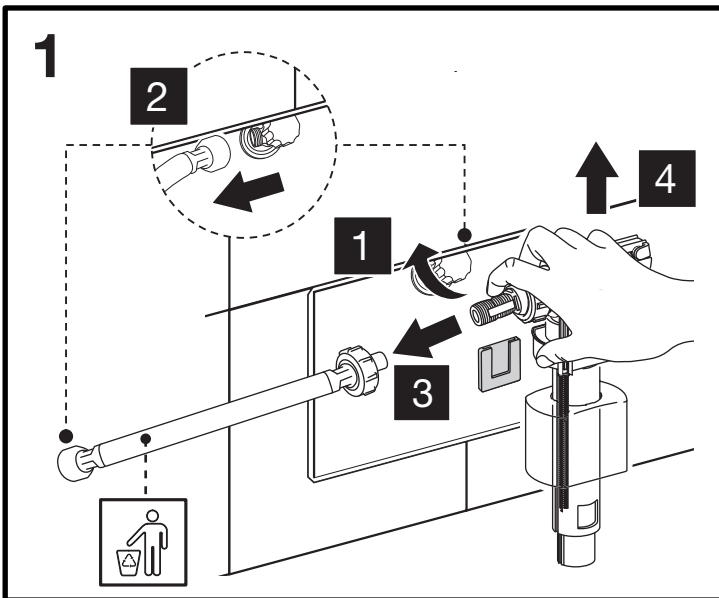


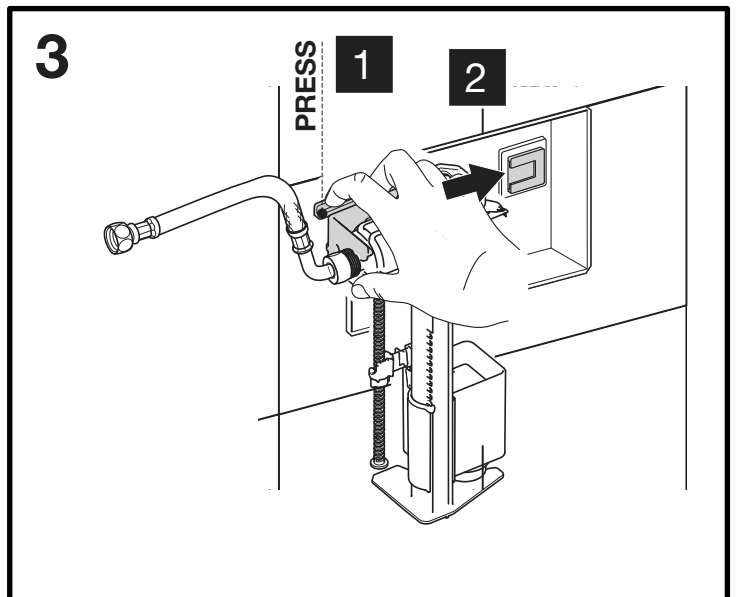
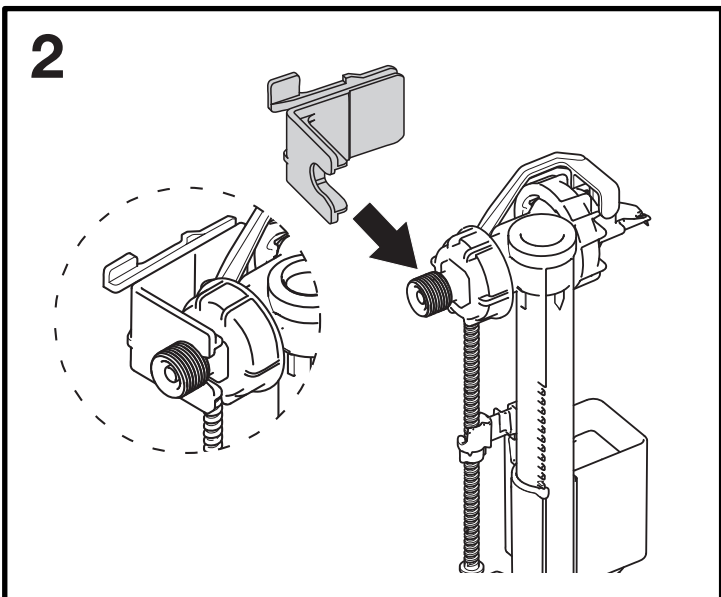
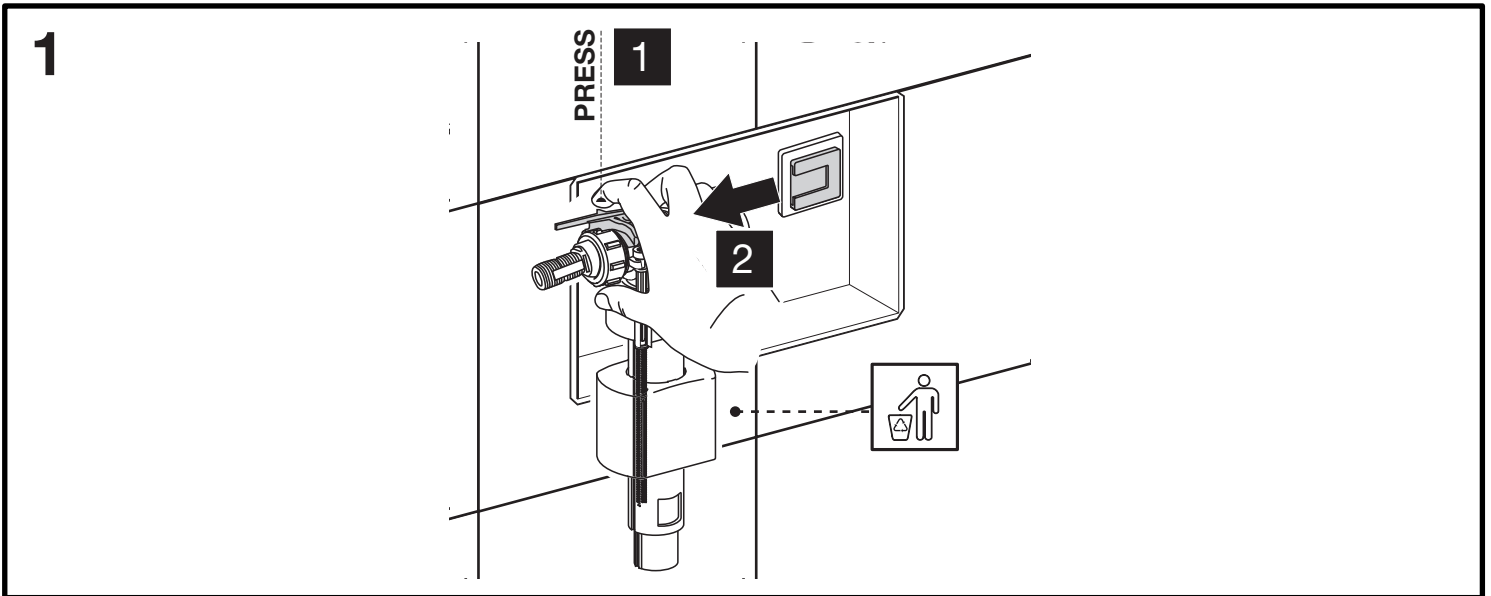
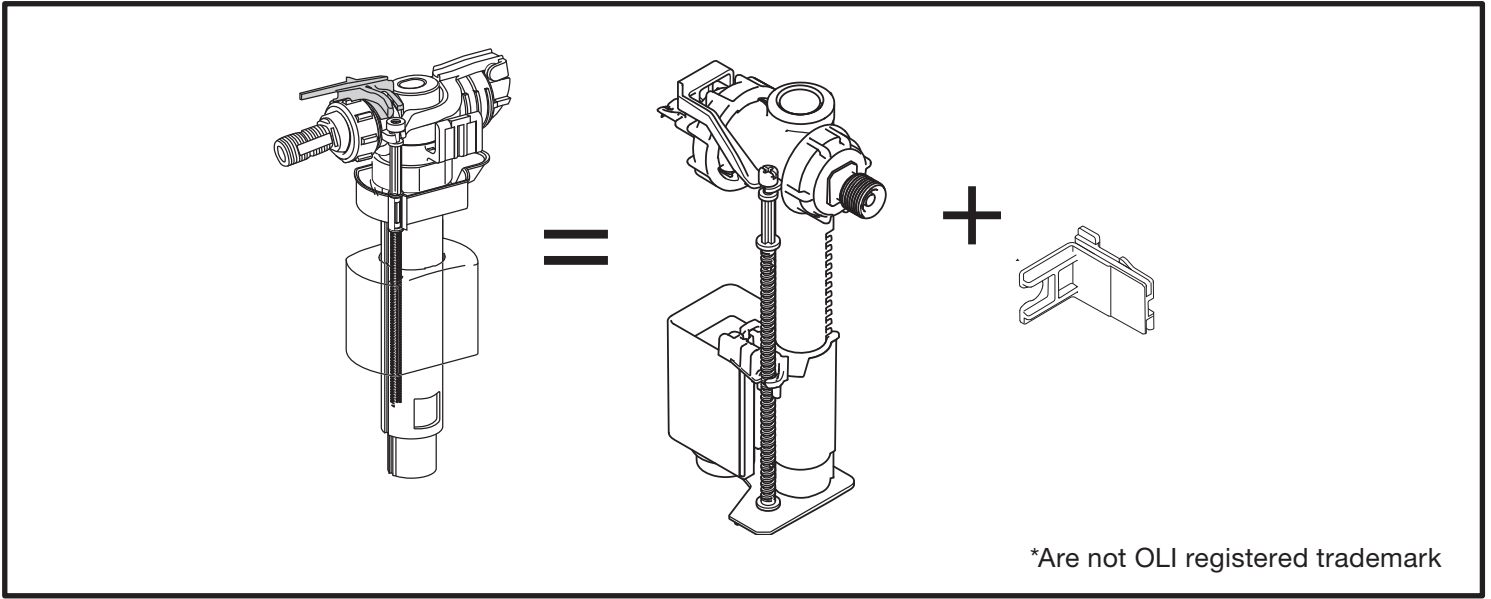
***GEBERIT® DUOFIX SIGMA12**



OPTIONAL UNIVERSAL FLEX
3/8" X 3/8" L.400

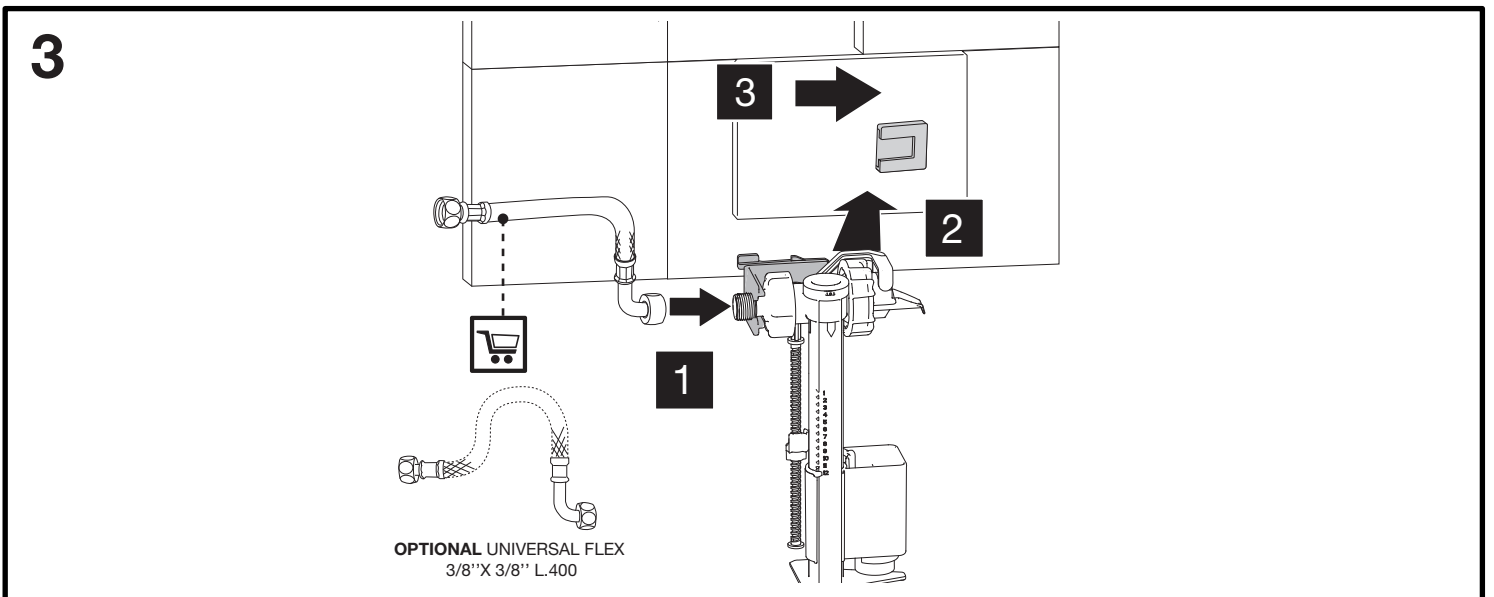
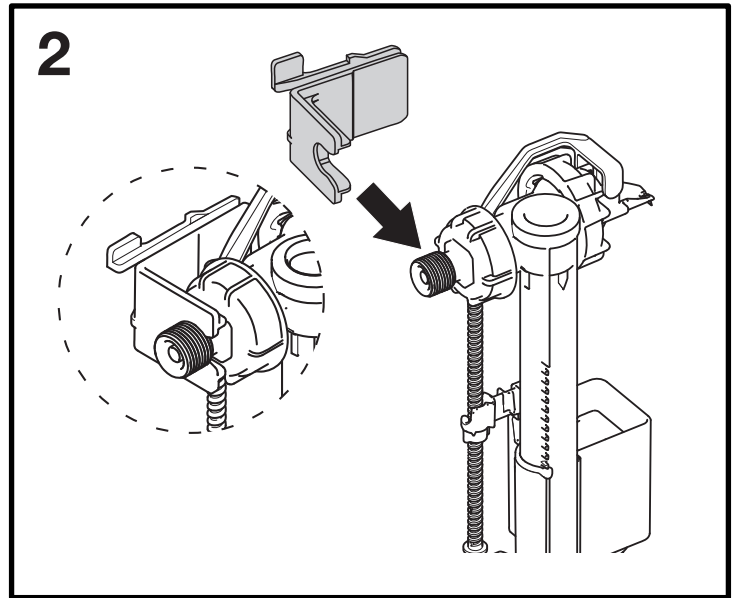
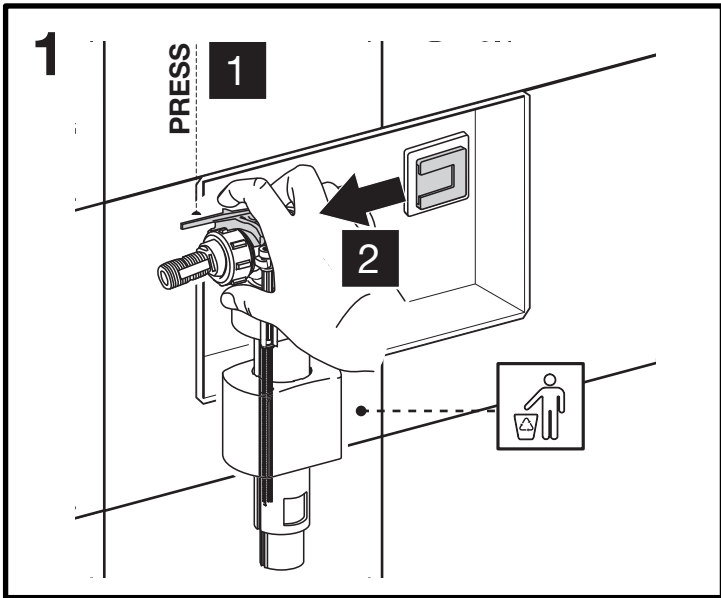
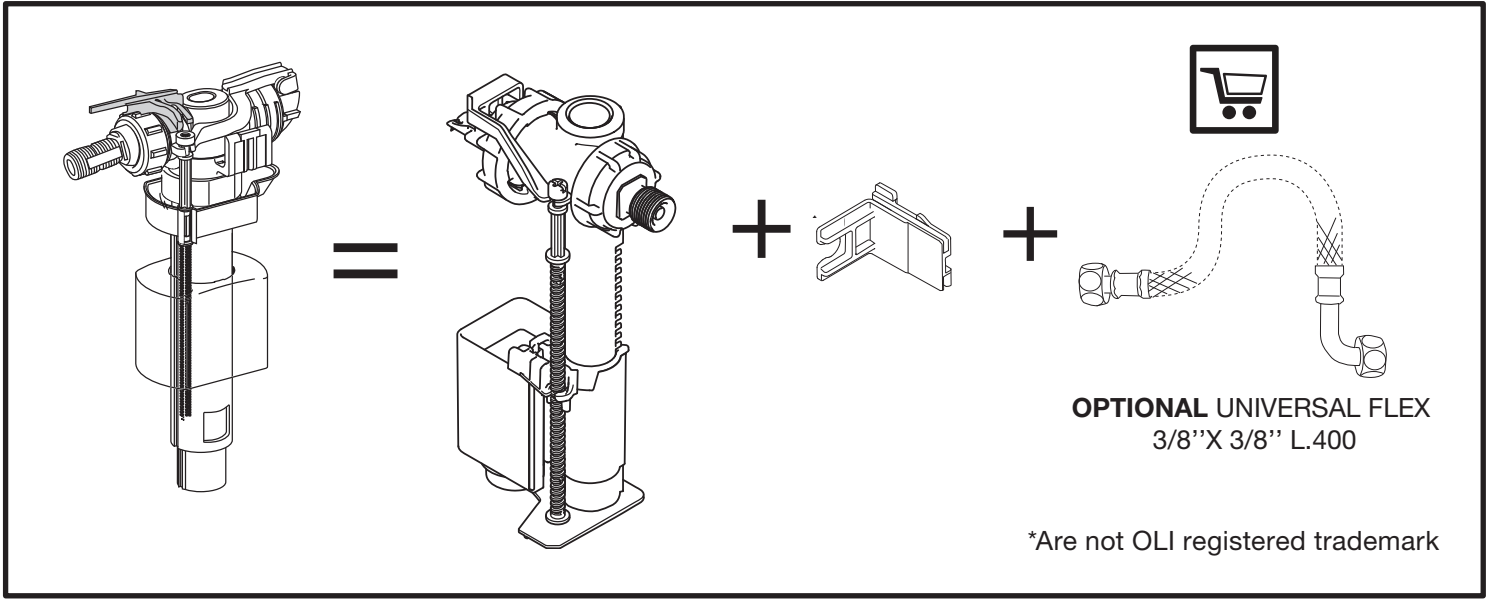
*Are not OLI registered trademark



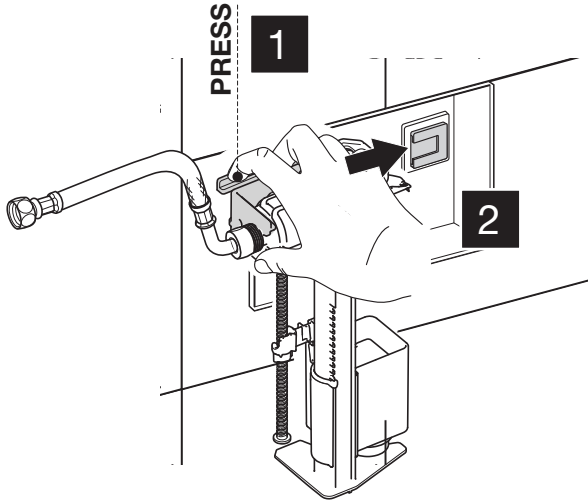




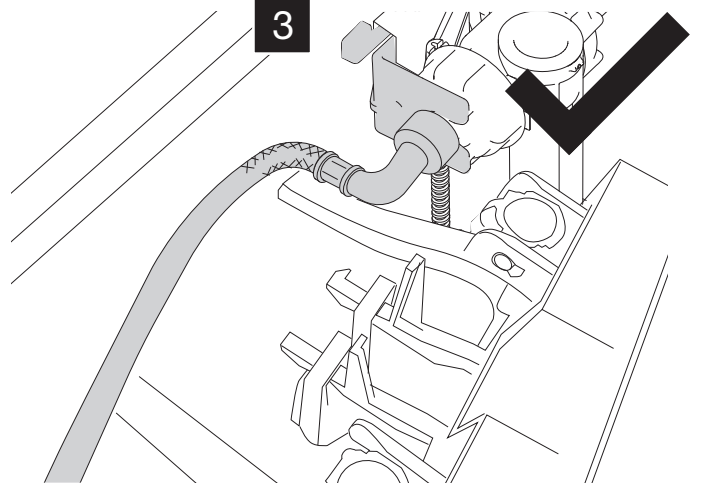
*GEBERIT® OMEGA

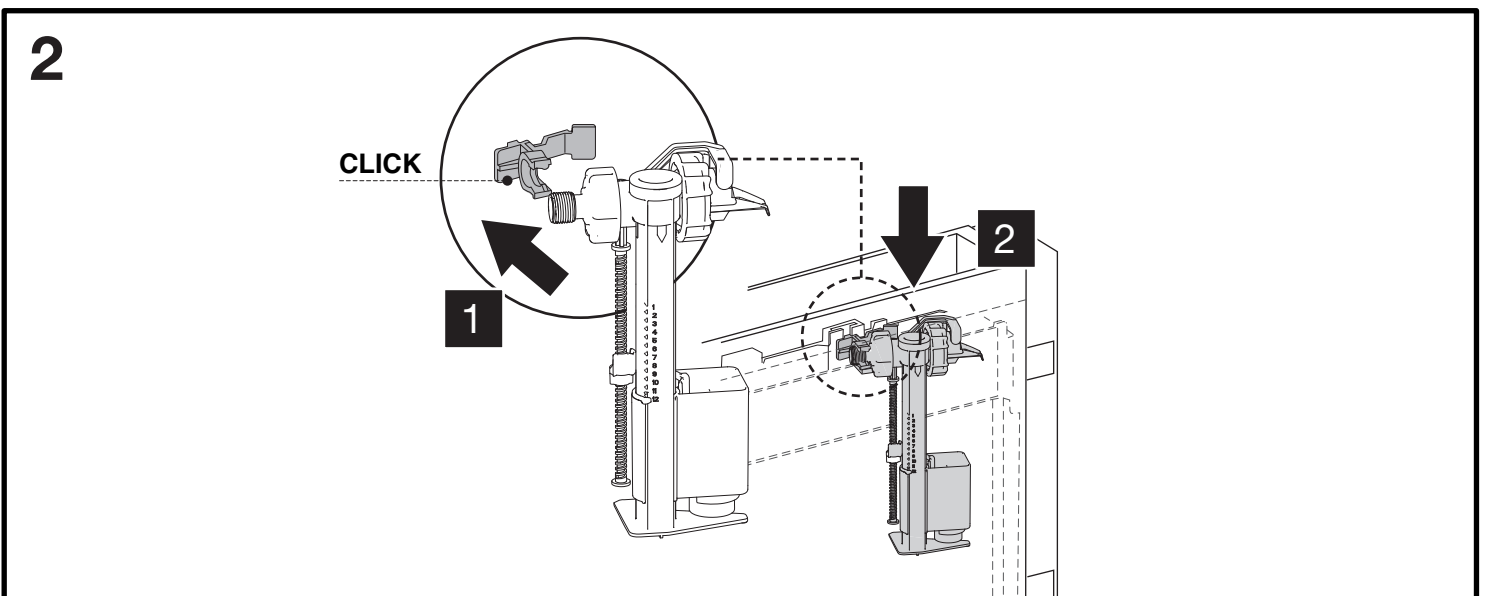
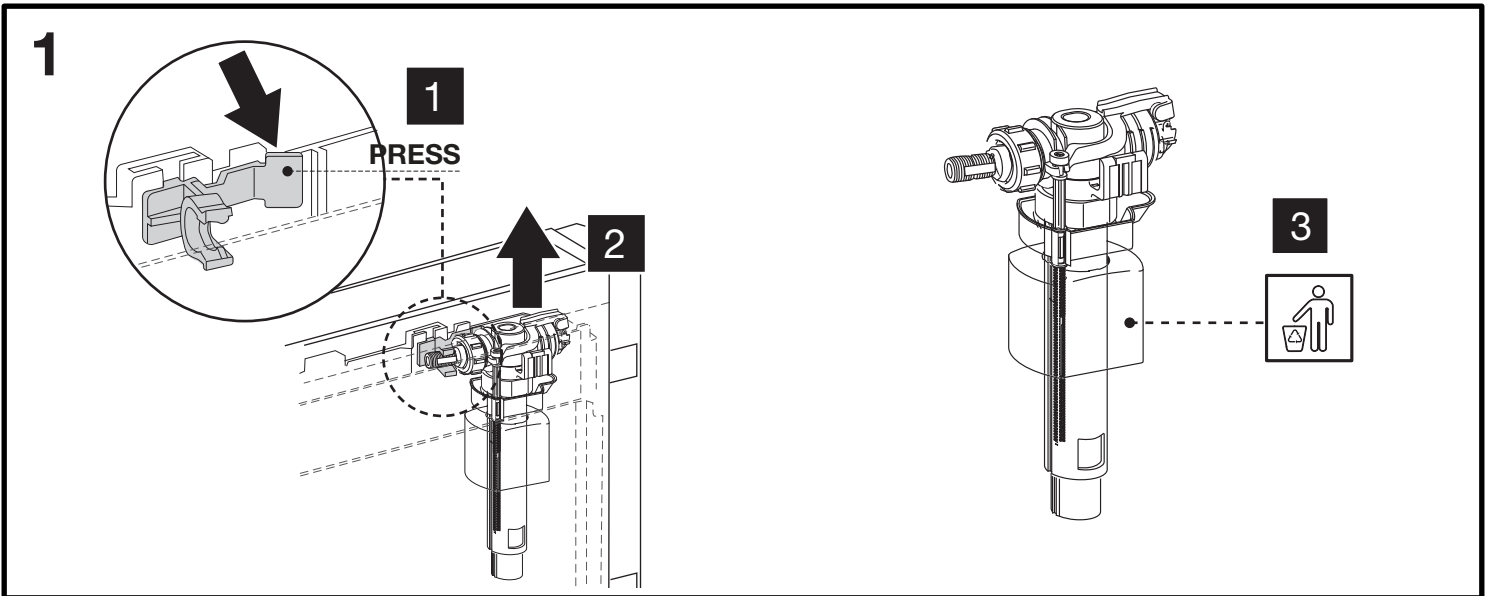
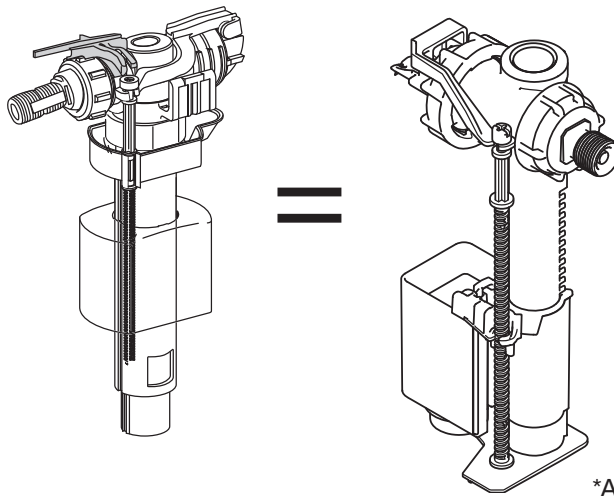


4



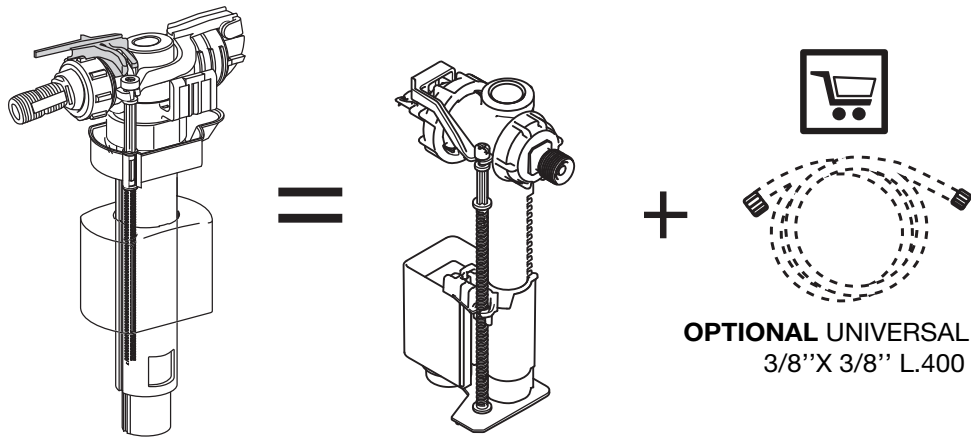
3





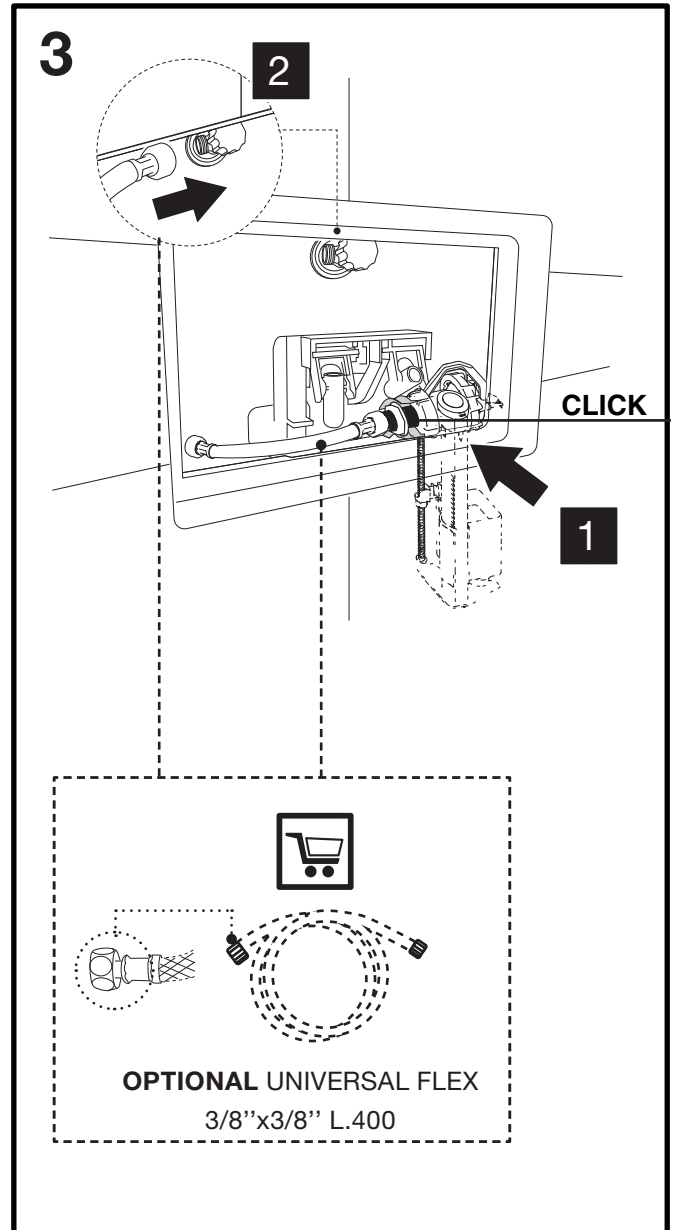
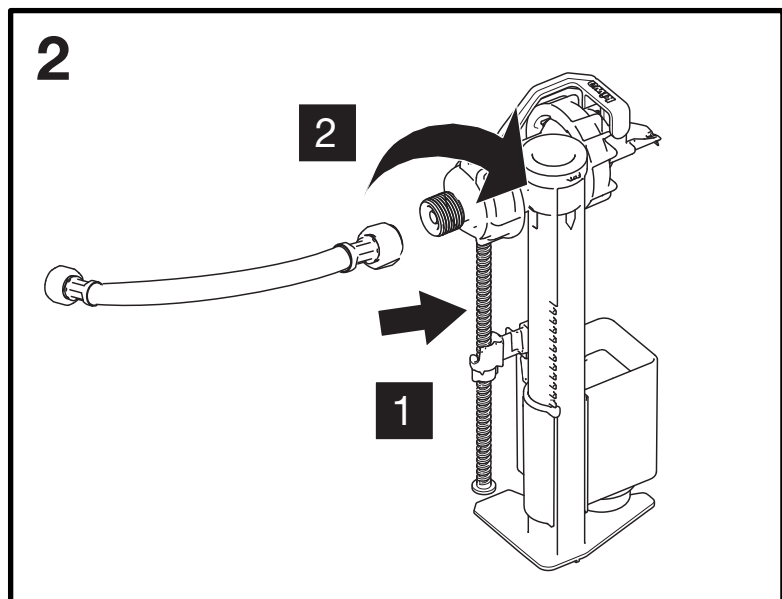
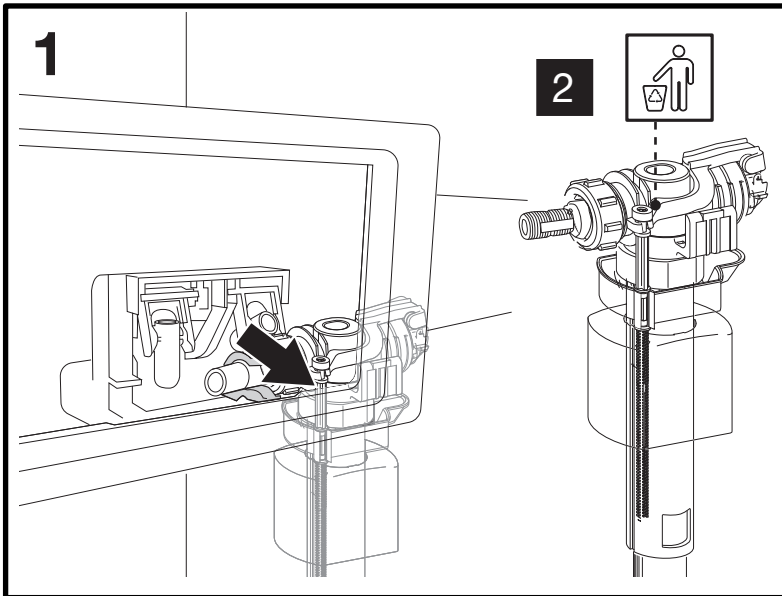


*GEBERIT® DELTA12



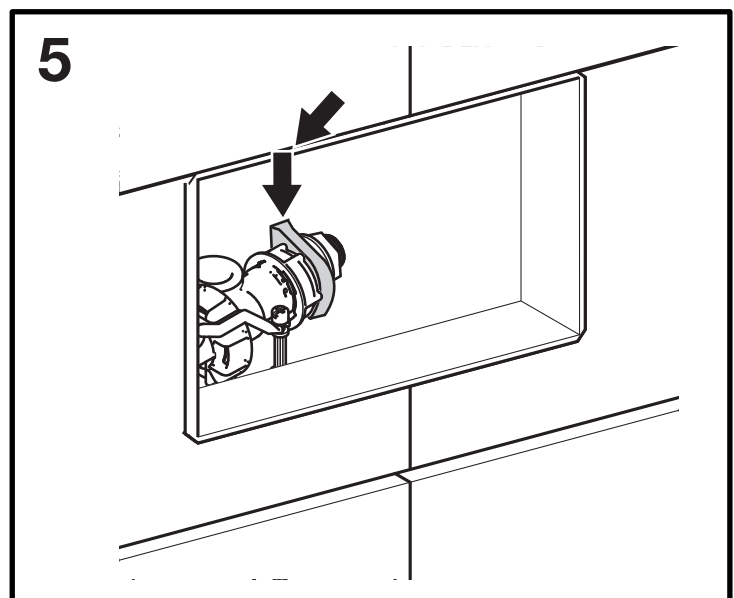
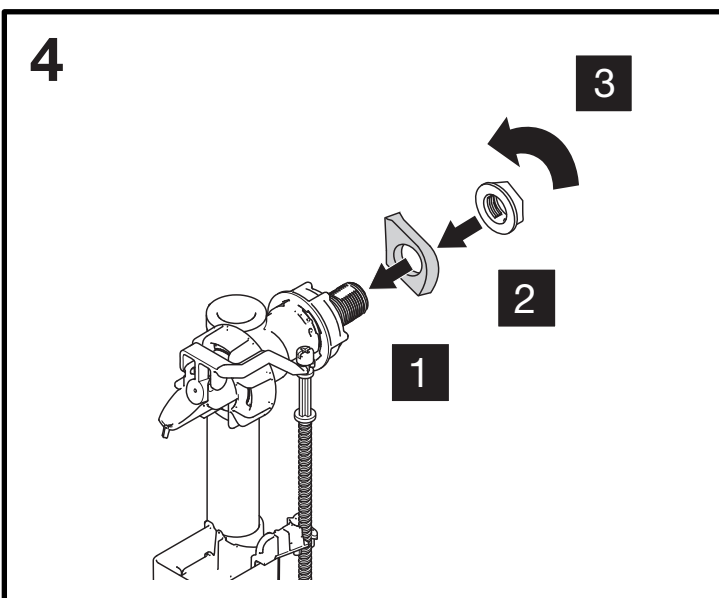
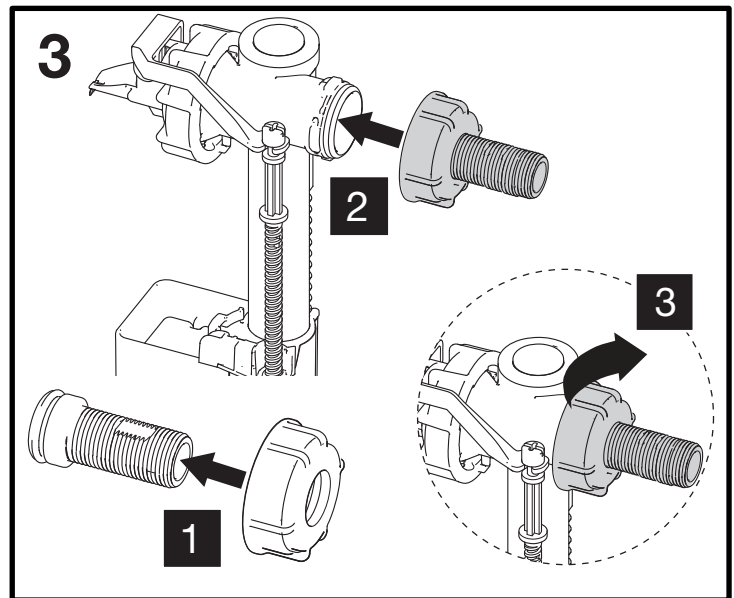
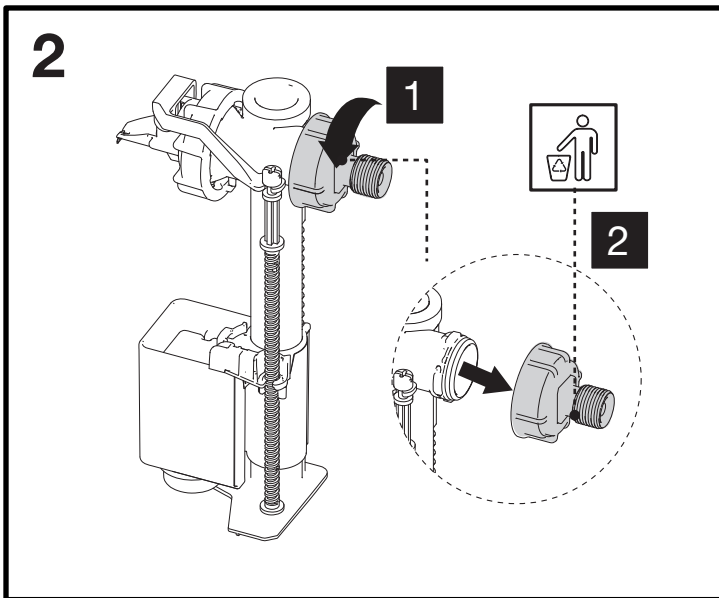
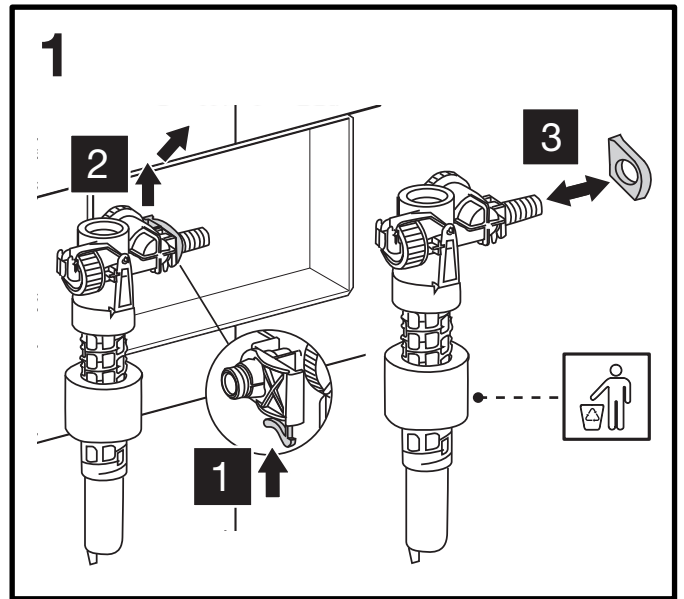
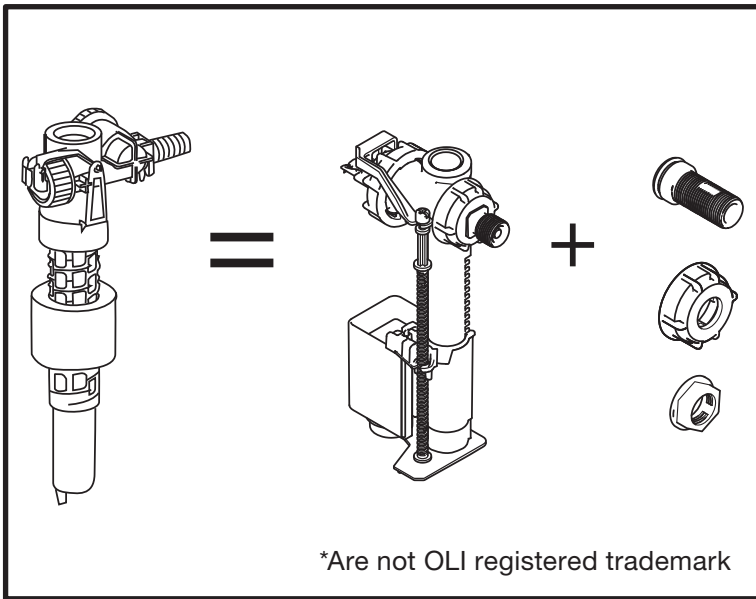
OPTIONAL UNIVERSAL FLEX
3/8" X 3/8" L.400

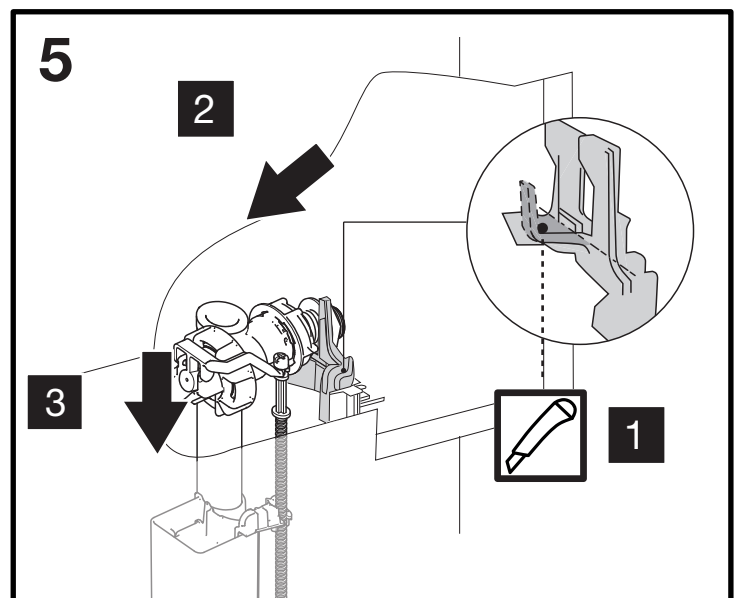
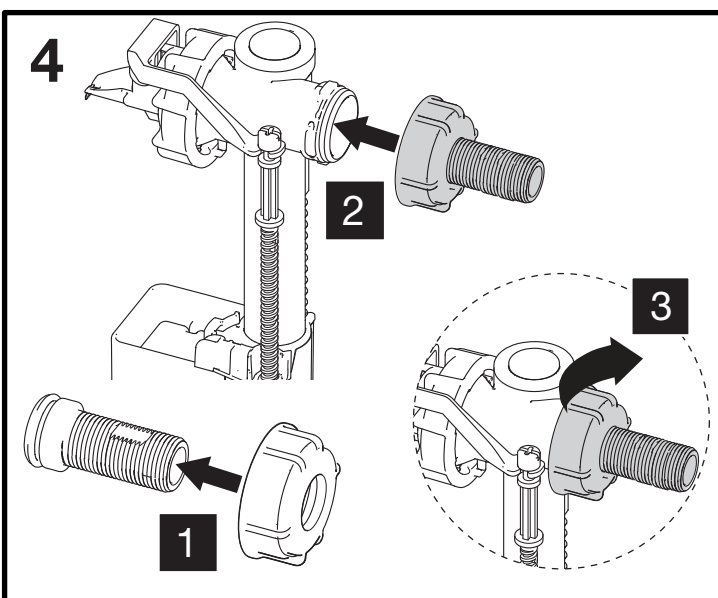
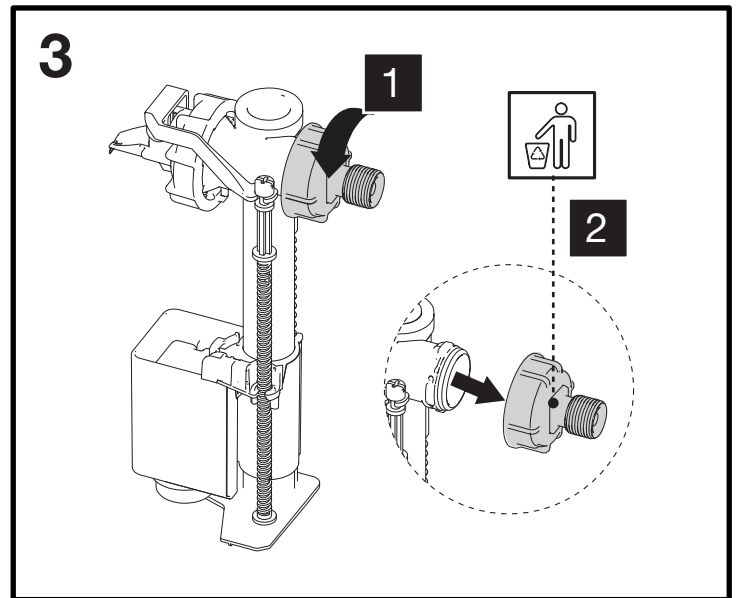
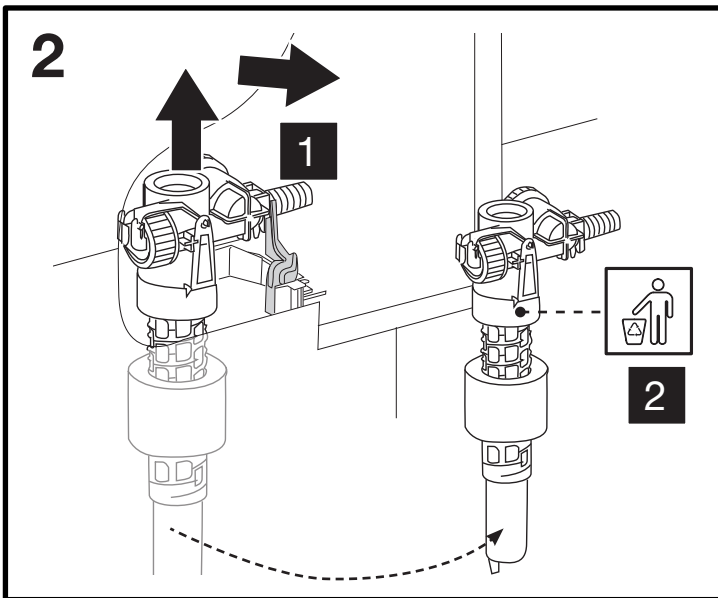
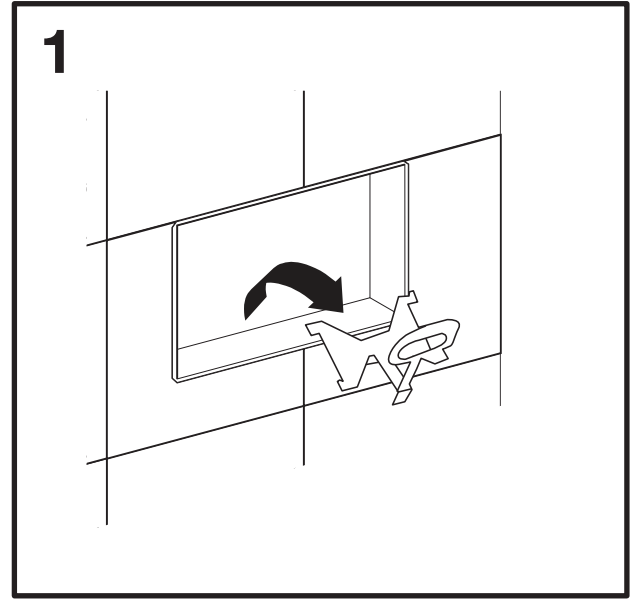
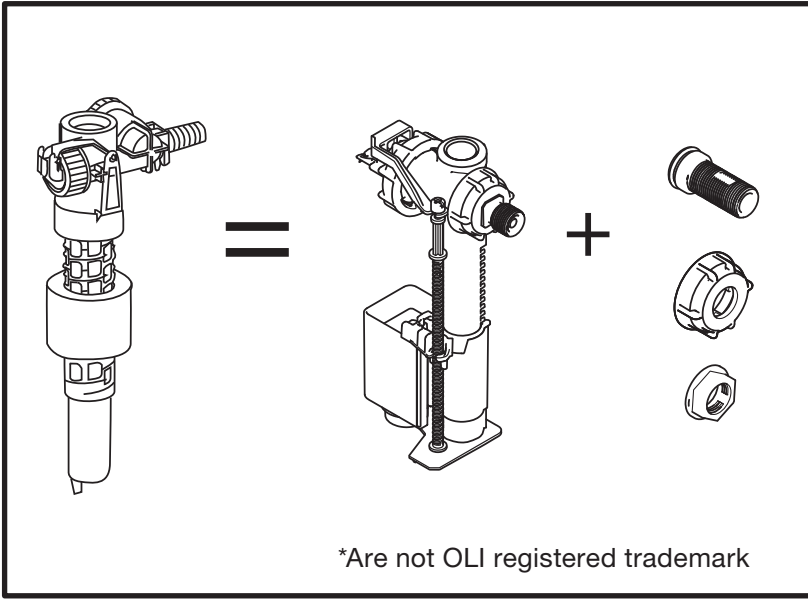
*Are not OLI registered trademark





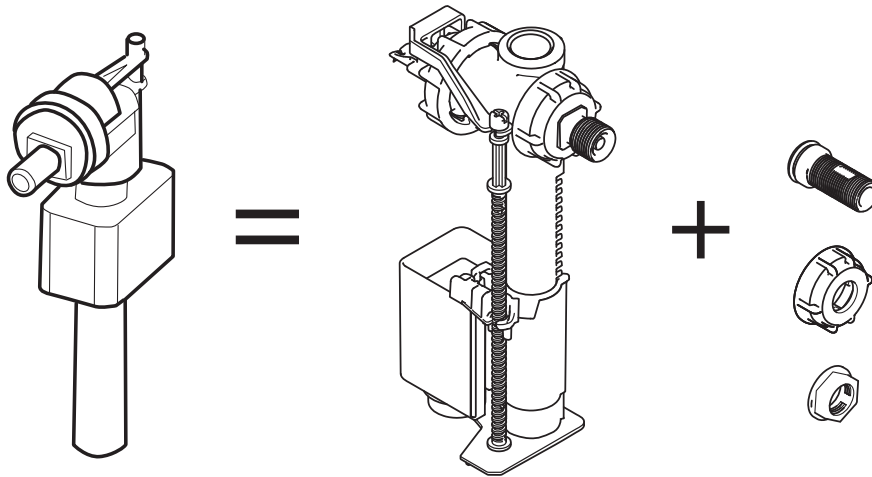
*GROHE® CASSETTA SCIAQUO ITALIANA 80MM



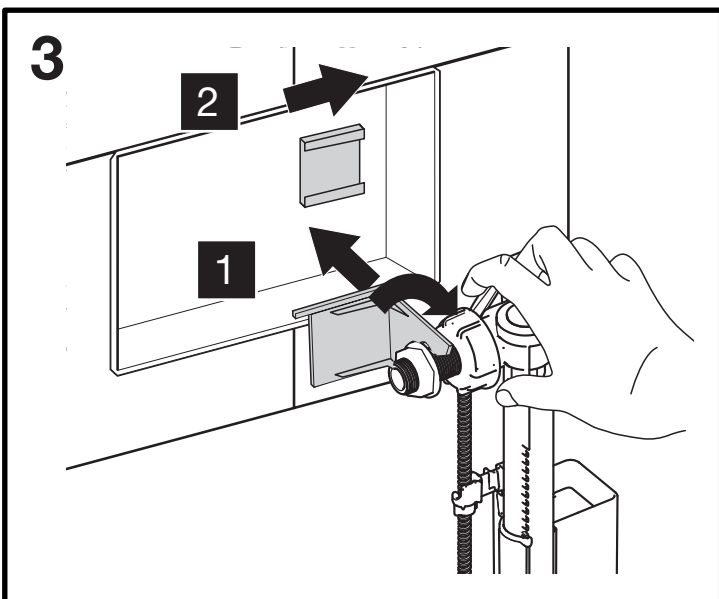
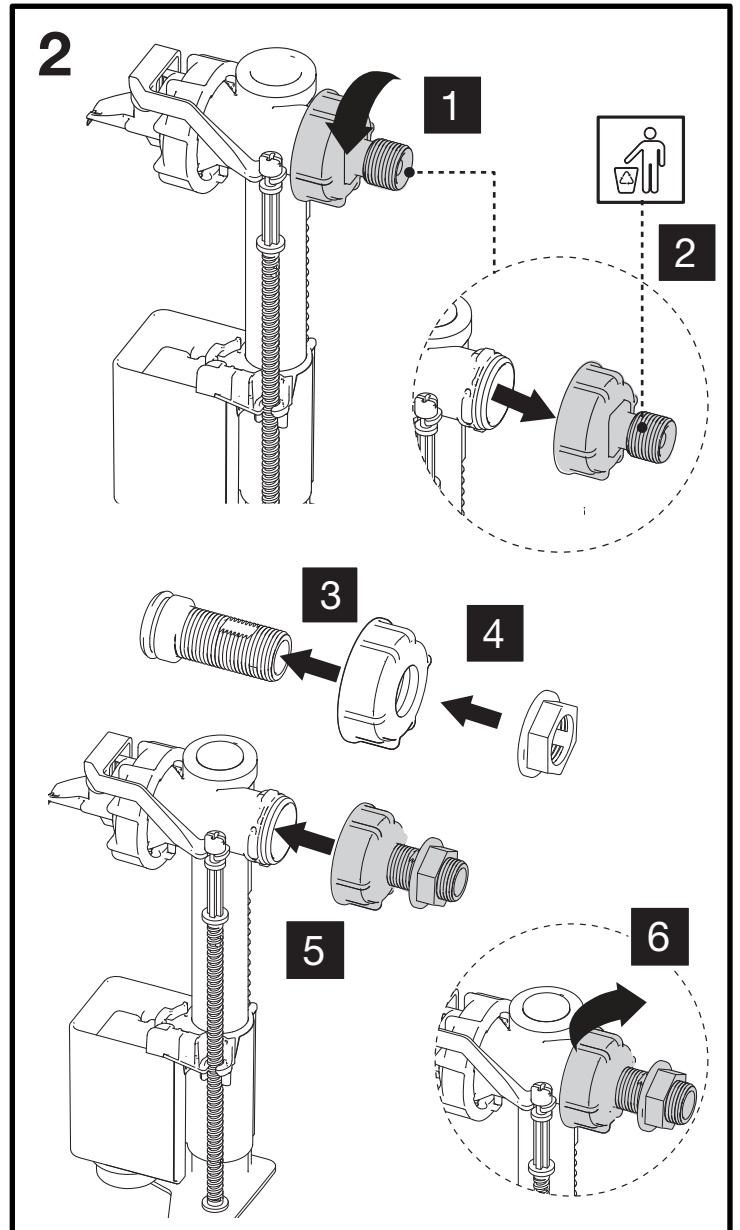
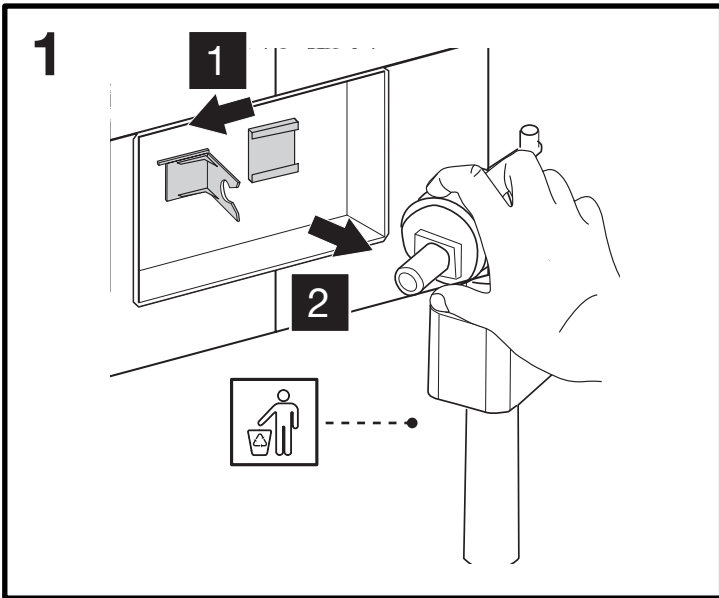




***TECE® BOX BASIC**

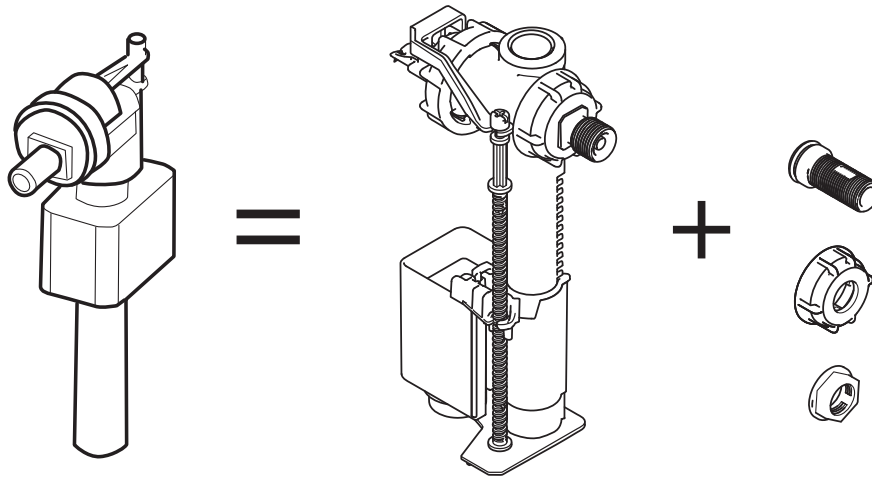


*Are not OLI registered trademark

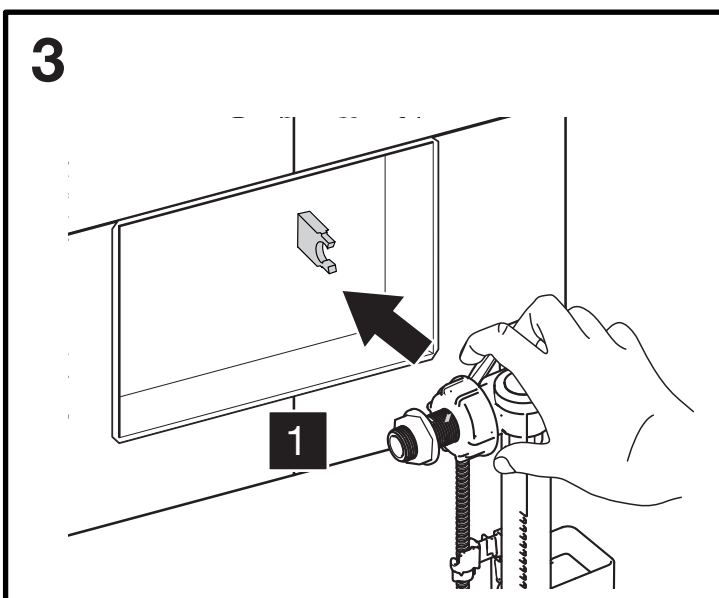
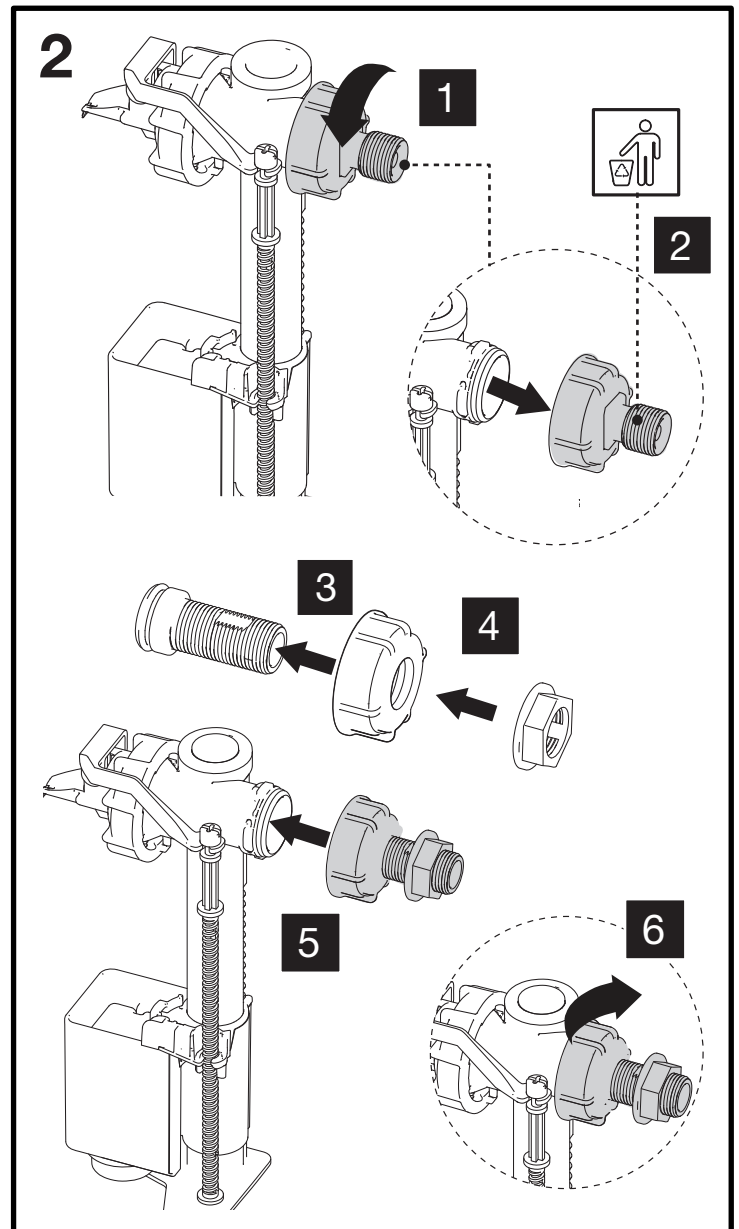
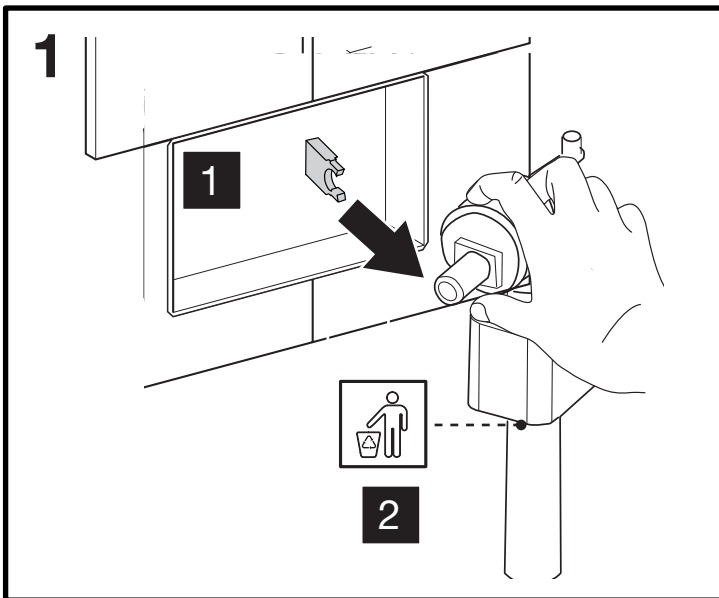




*TECE® TECE 1120

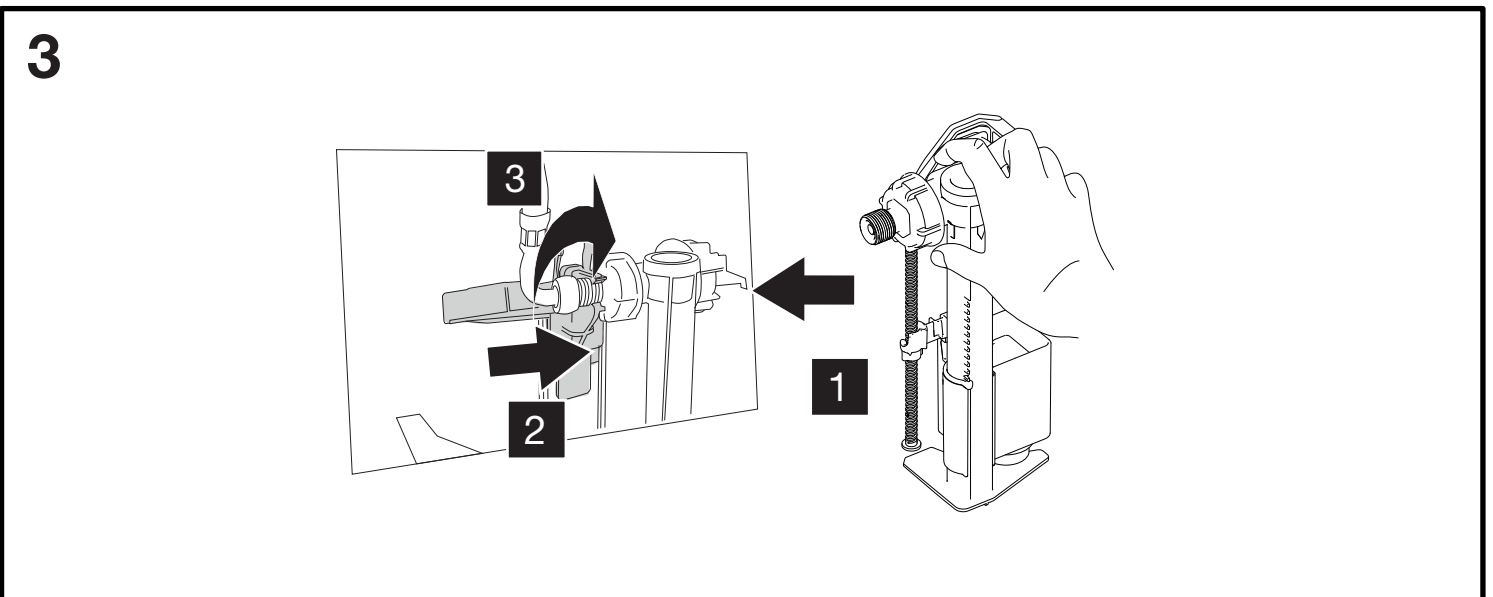
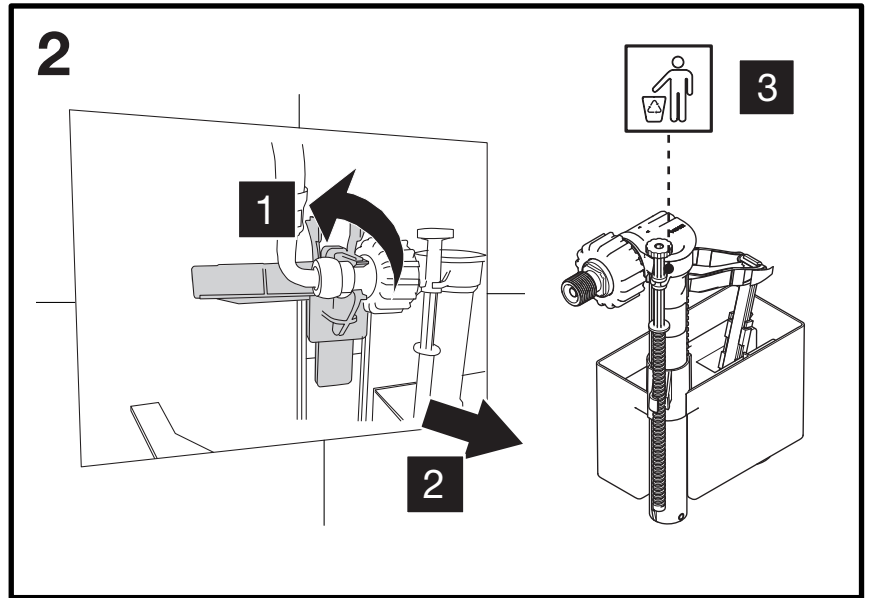
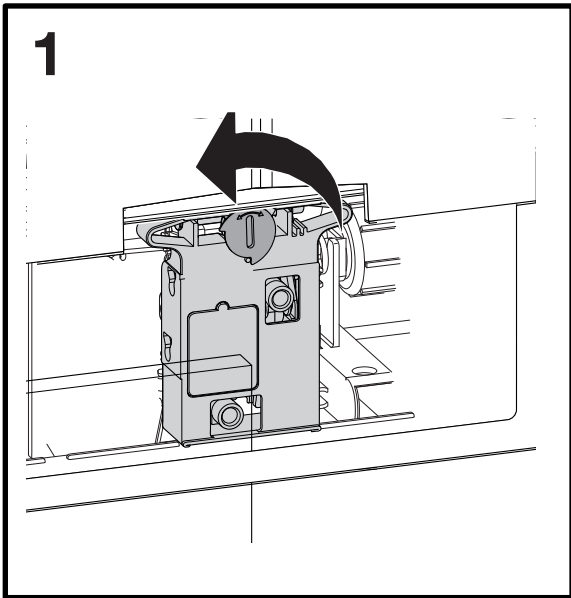
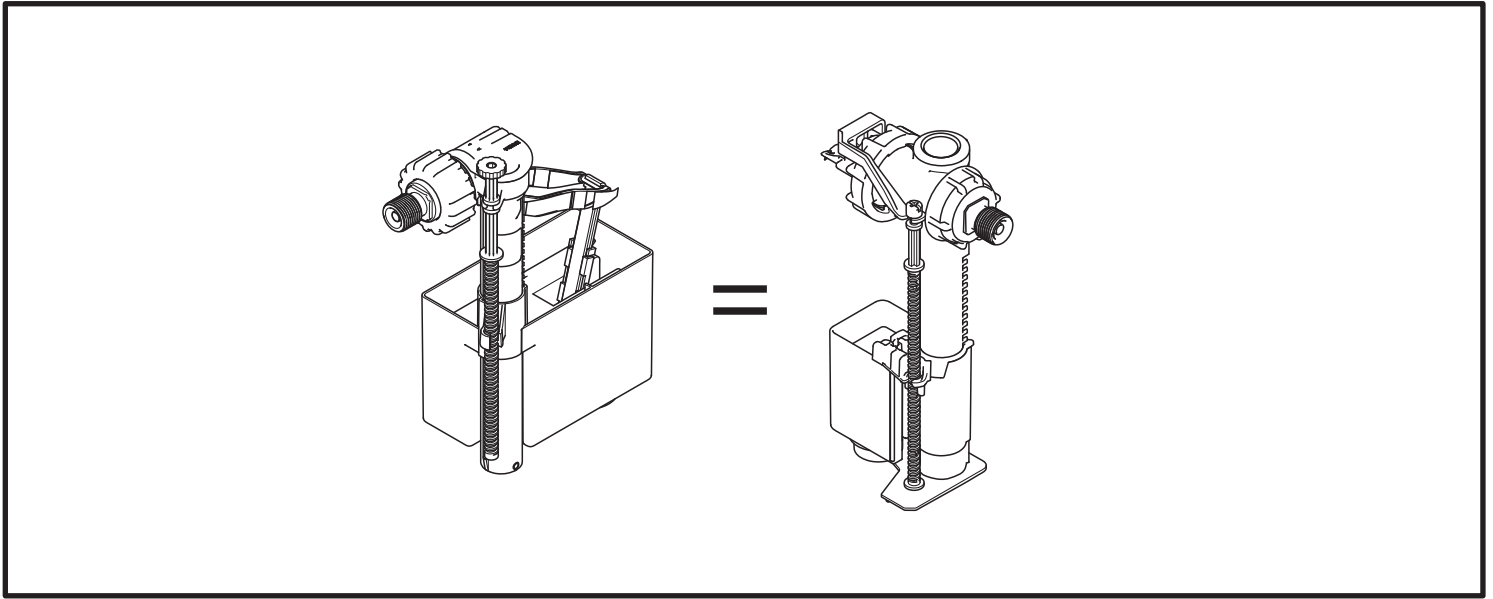


*Are not OLI registered trademark



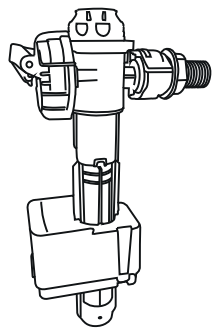


*VIEGA® ECO PLUS

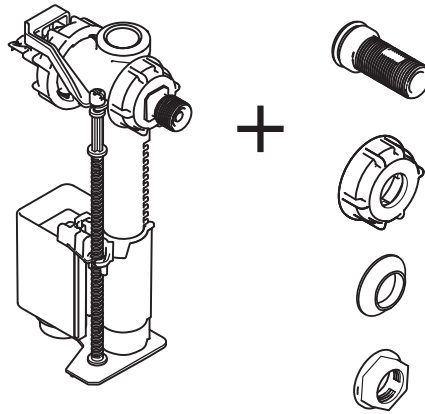




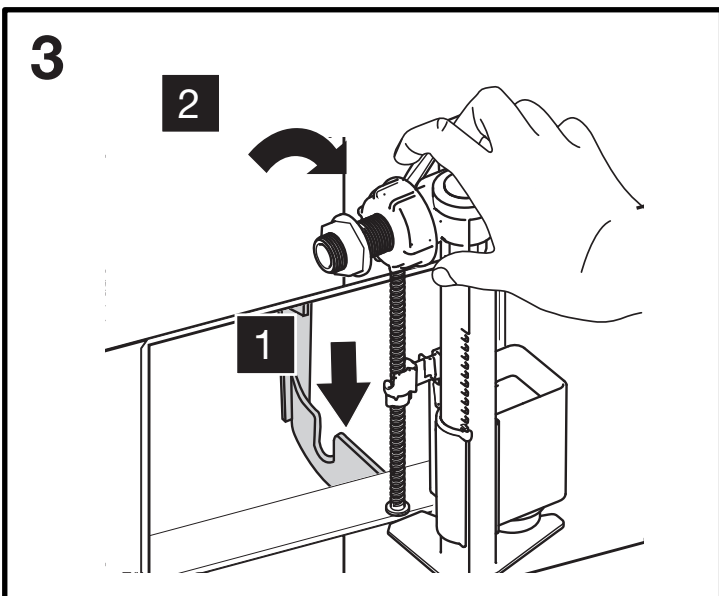
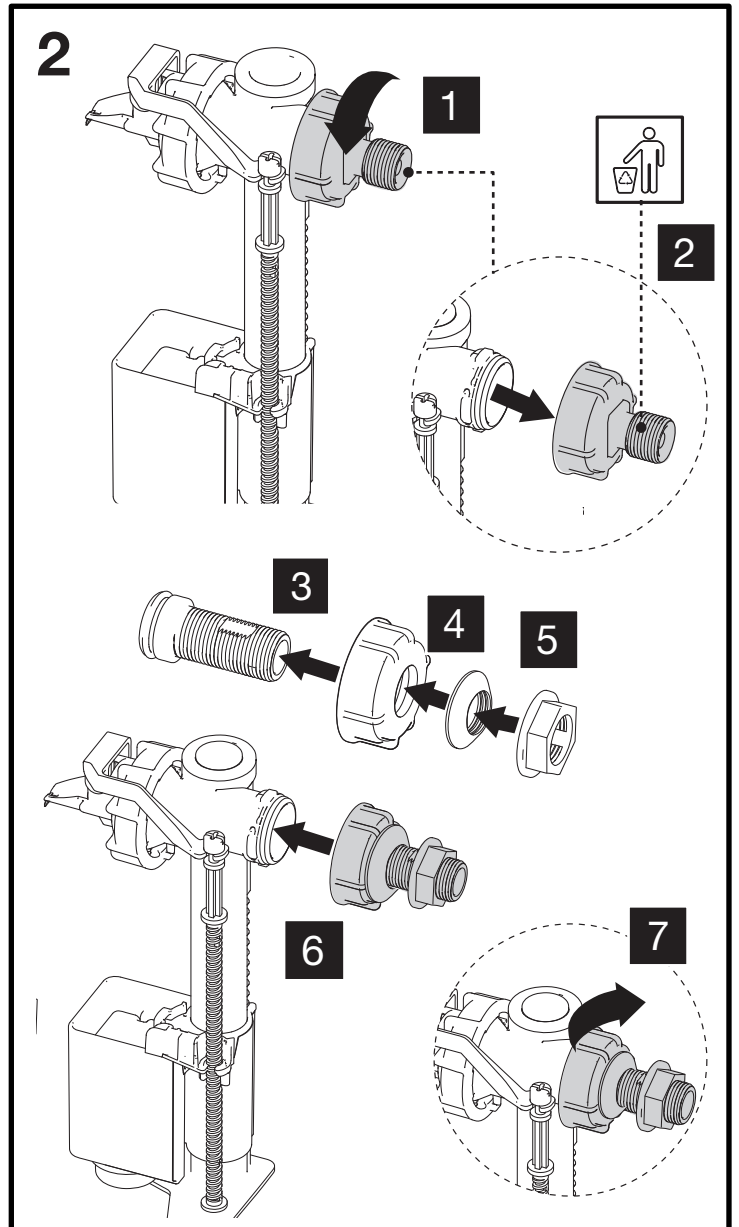
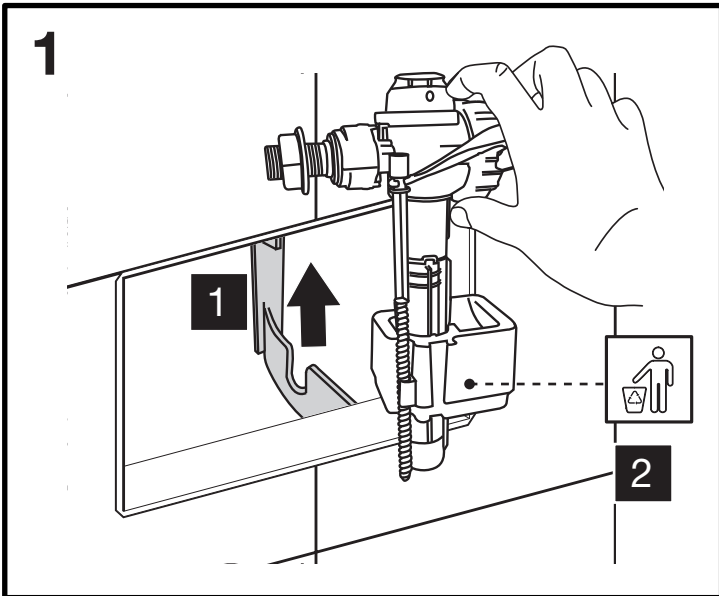
*ITS TODINI® HIDROBOX



=

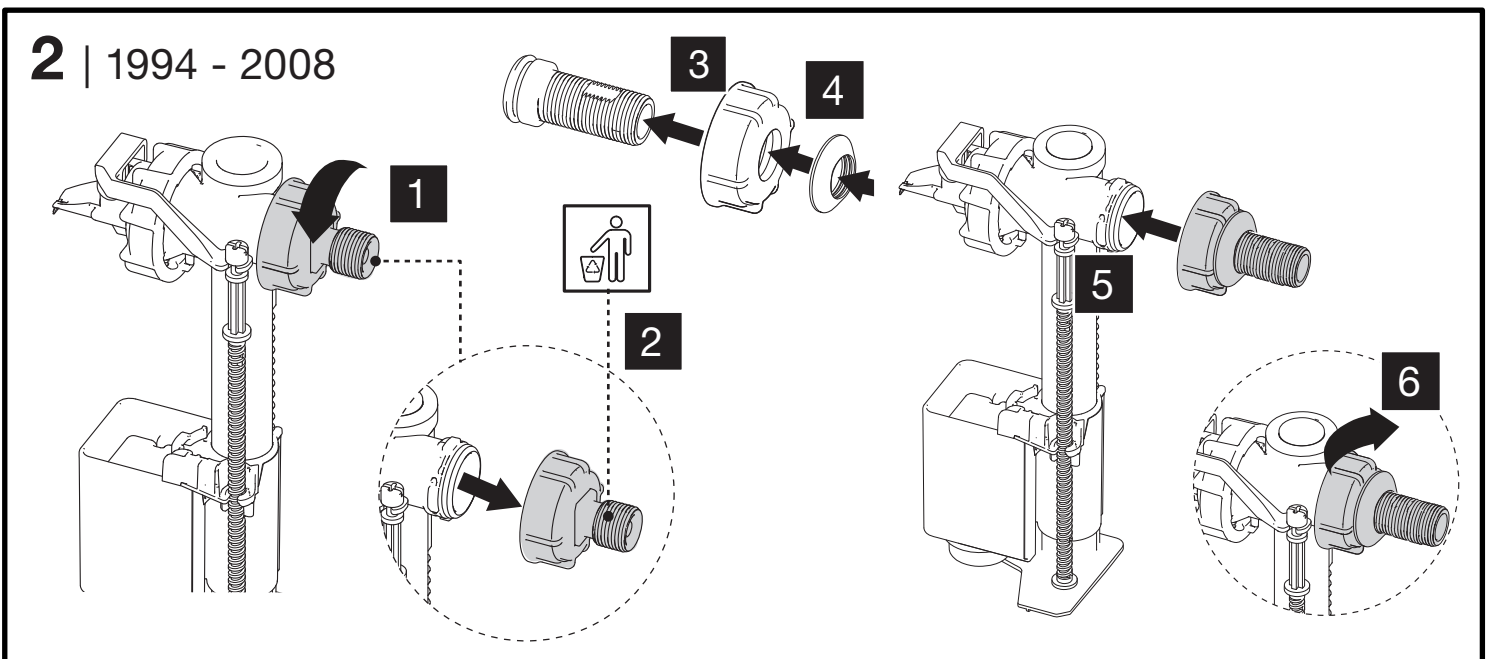
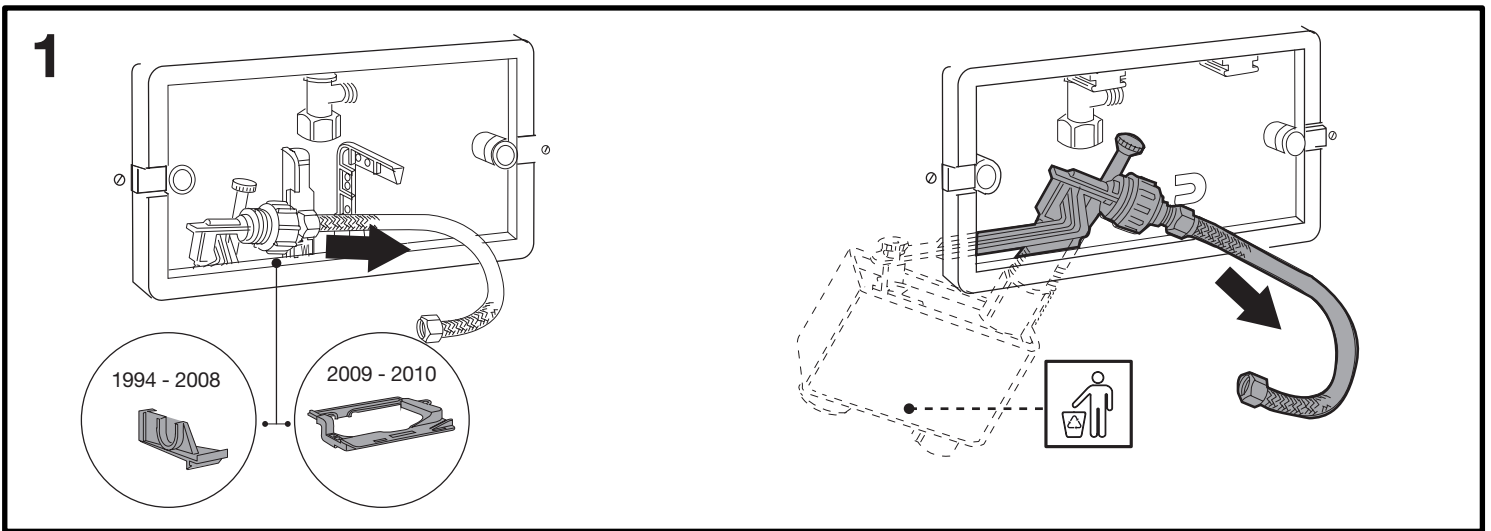
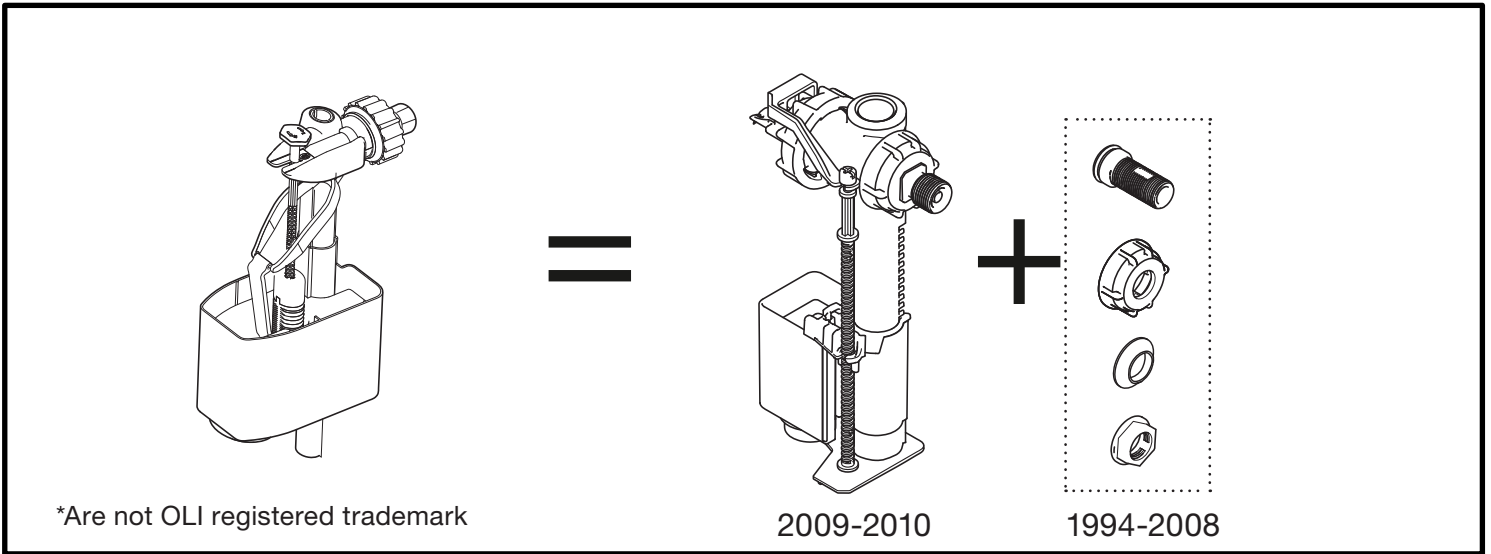
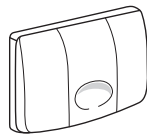


*Are not OLI registered trademark

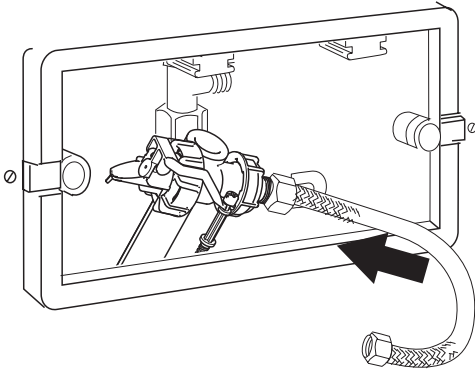




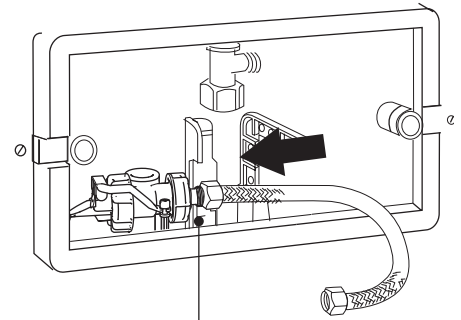
*VALSIR® MEDUSA



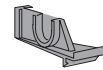
3



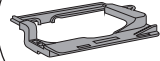
4



1994 - 2008

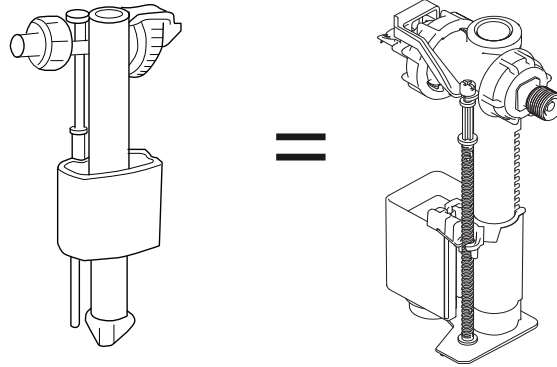
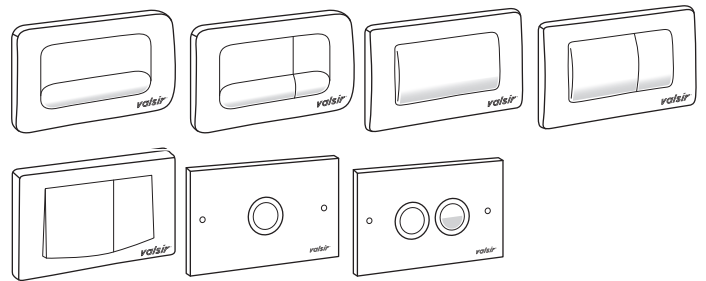


2009 - 2010



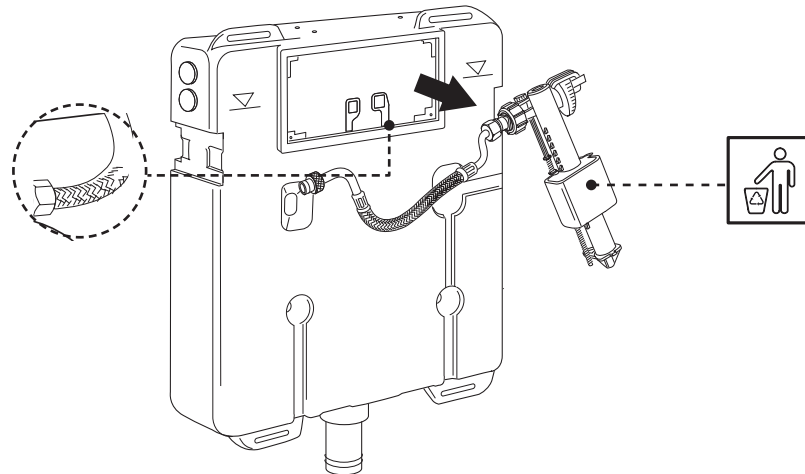


*VALSIR® TROPEA-TROPEA 2 (2004-2012)

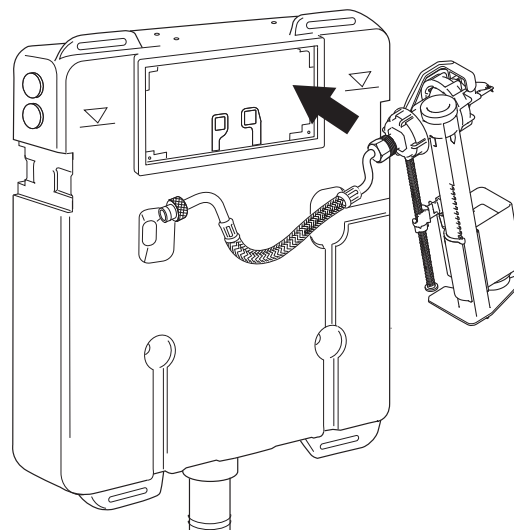


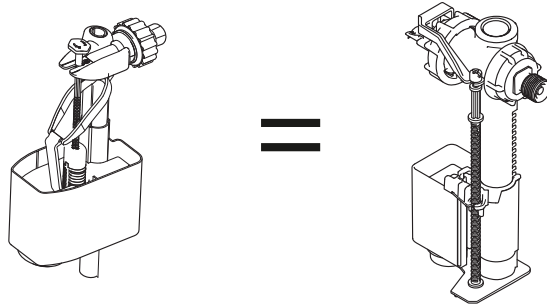
*Are not OLI registered trademark

1

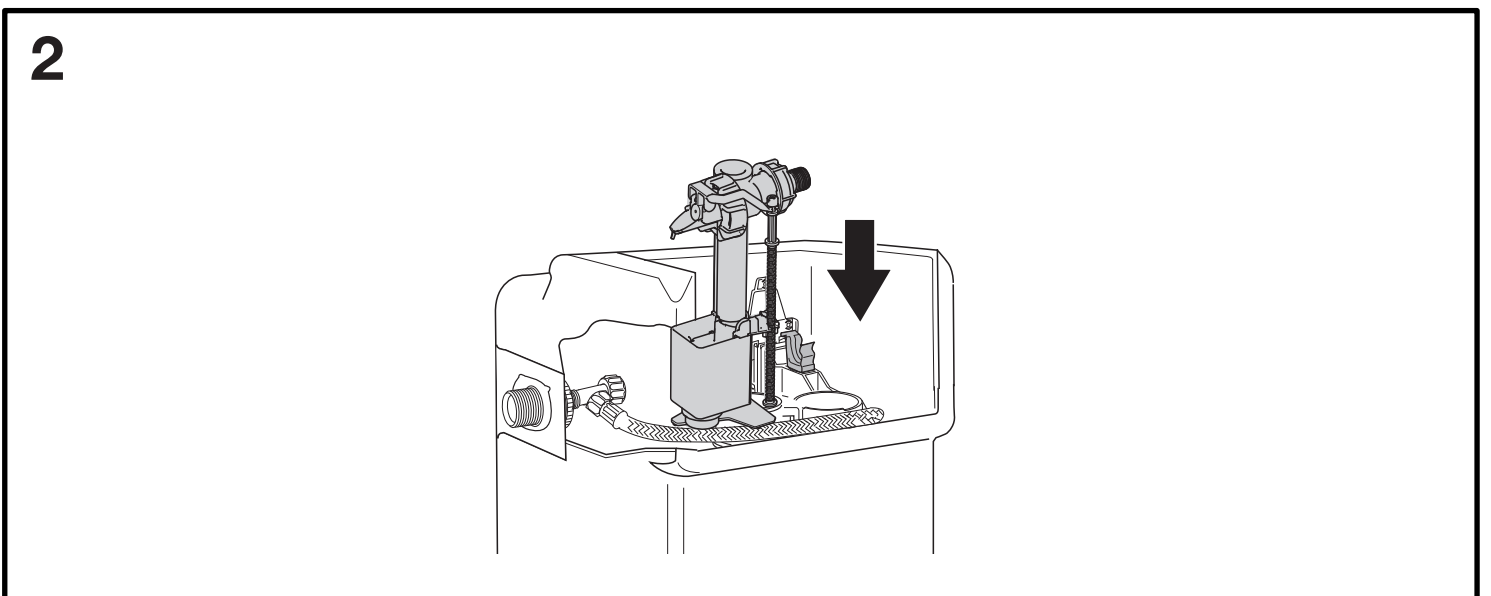
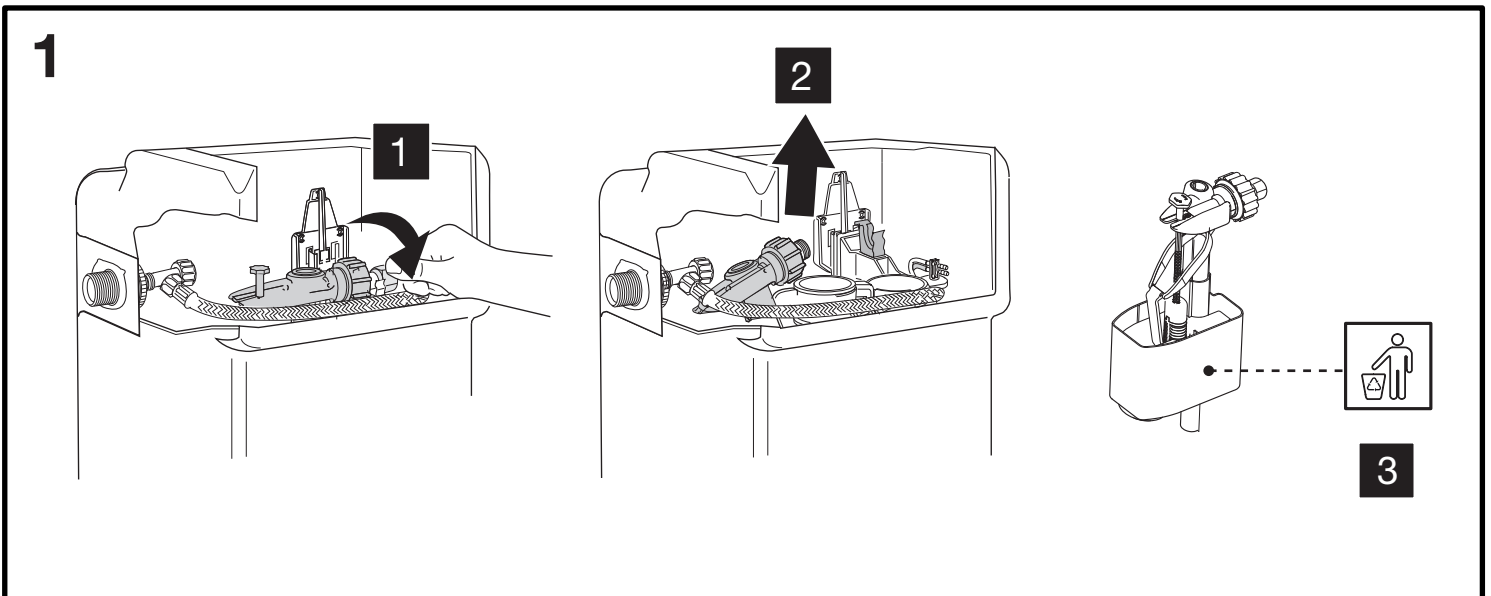


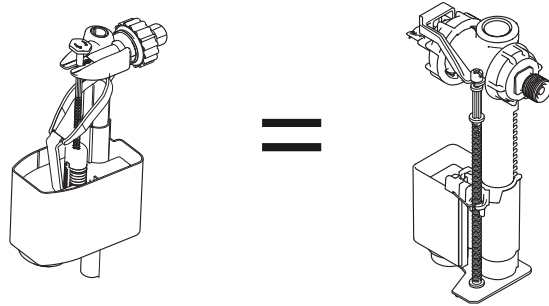
2





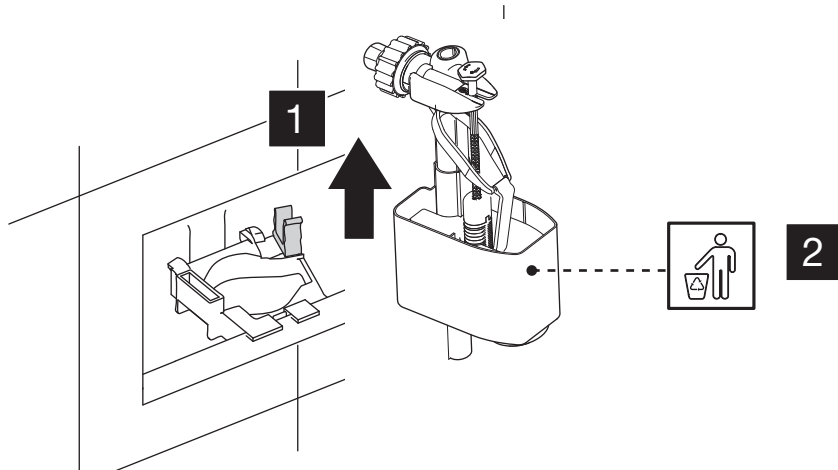
*Are not OLI registered trademark



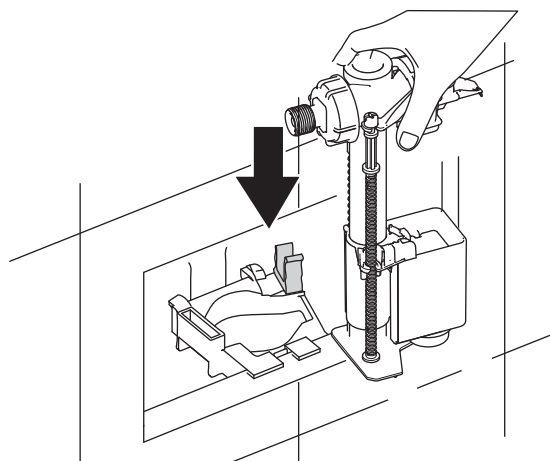


*Are not OLI registered trademark

1

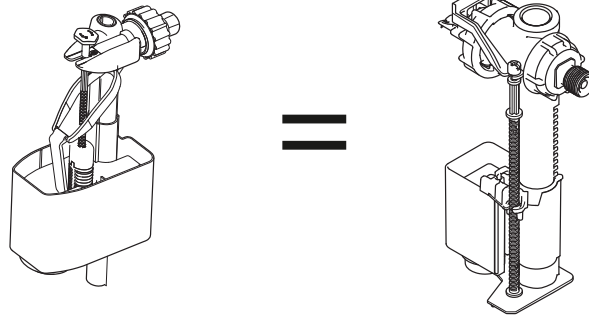
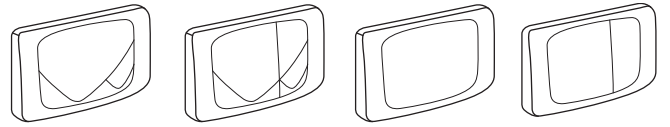


2



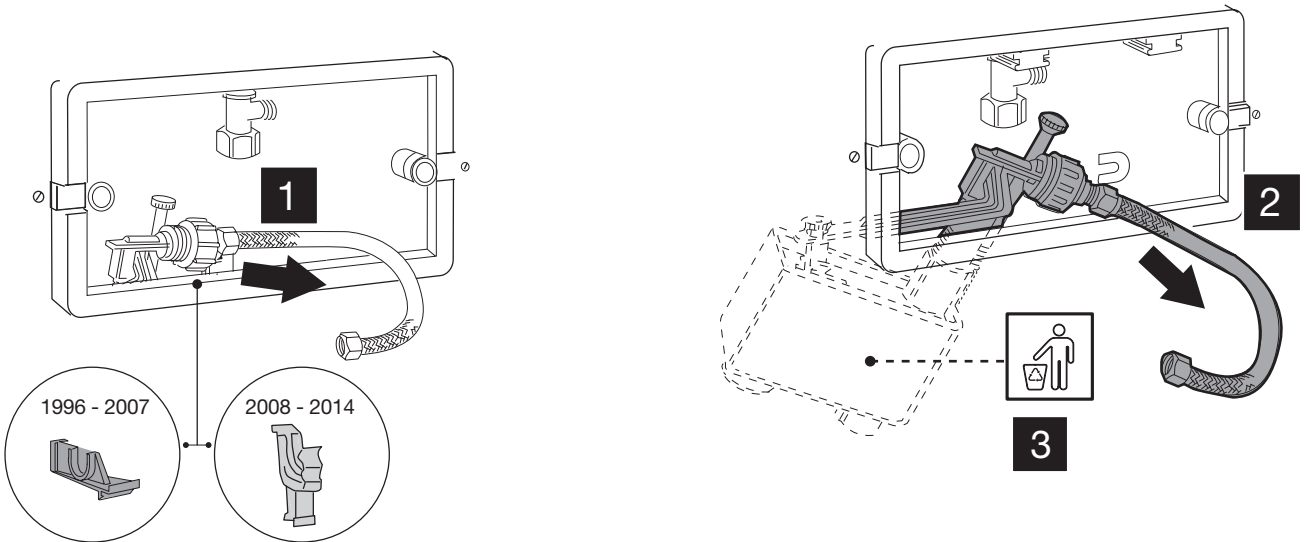


*VALSIR® RIOS | RIOS2 | EVOLUT
| ANGEL

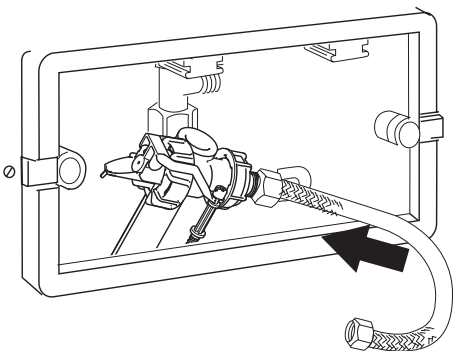


*Are not OLI registered trademark

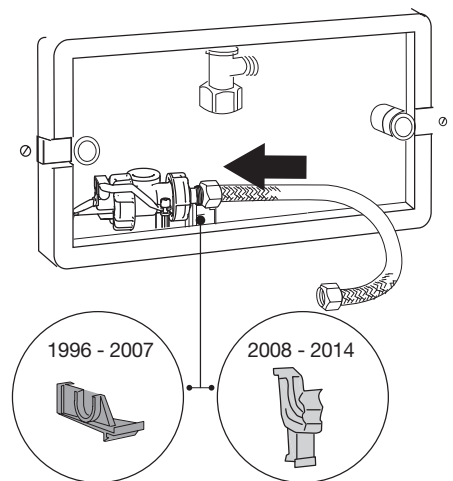
1

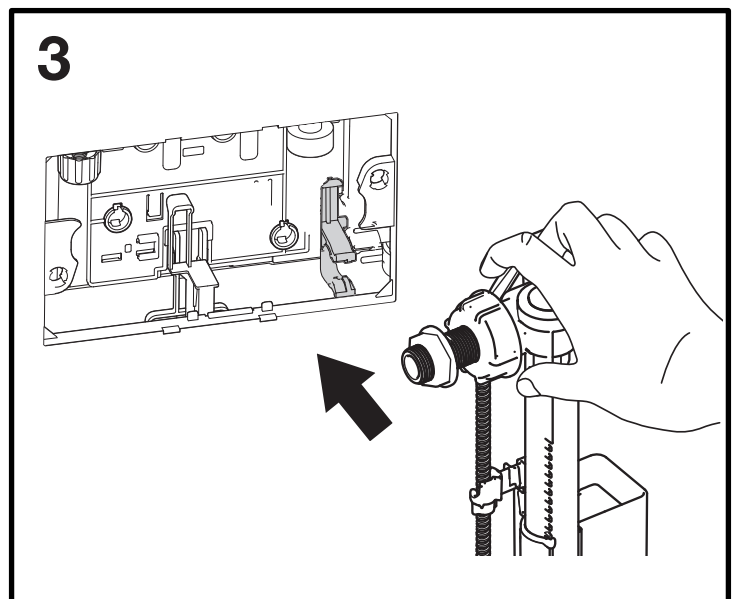
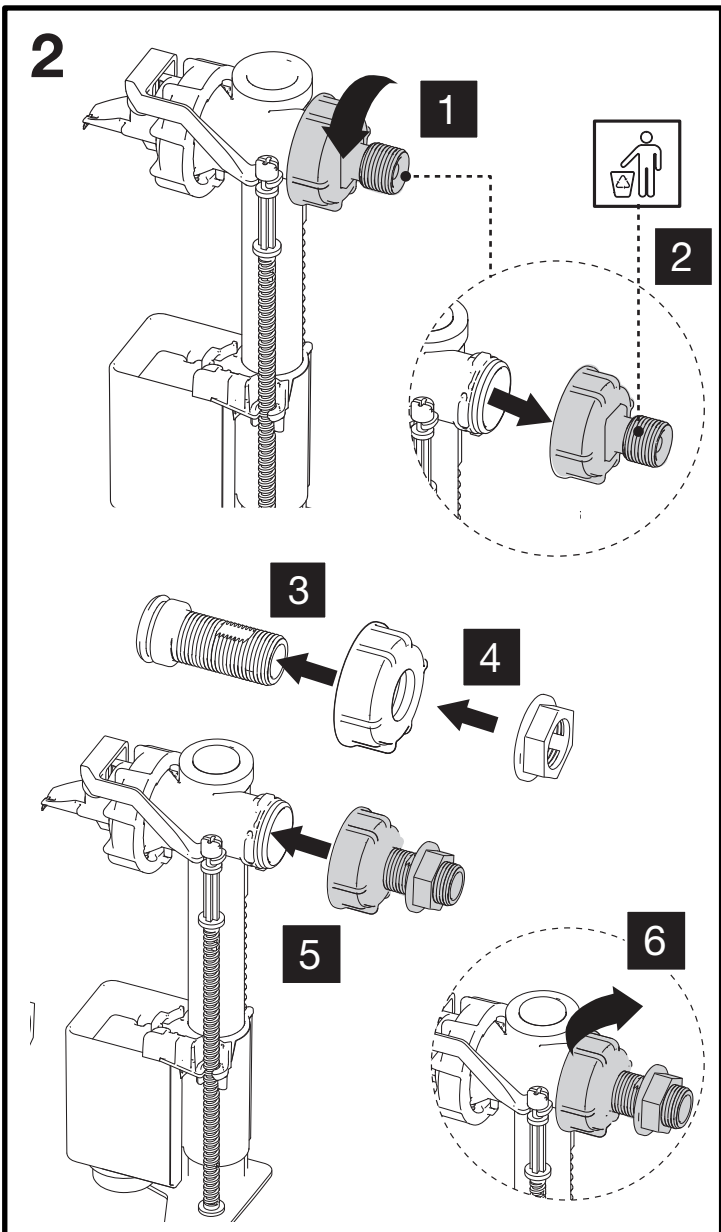
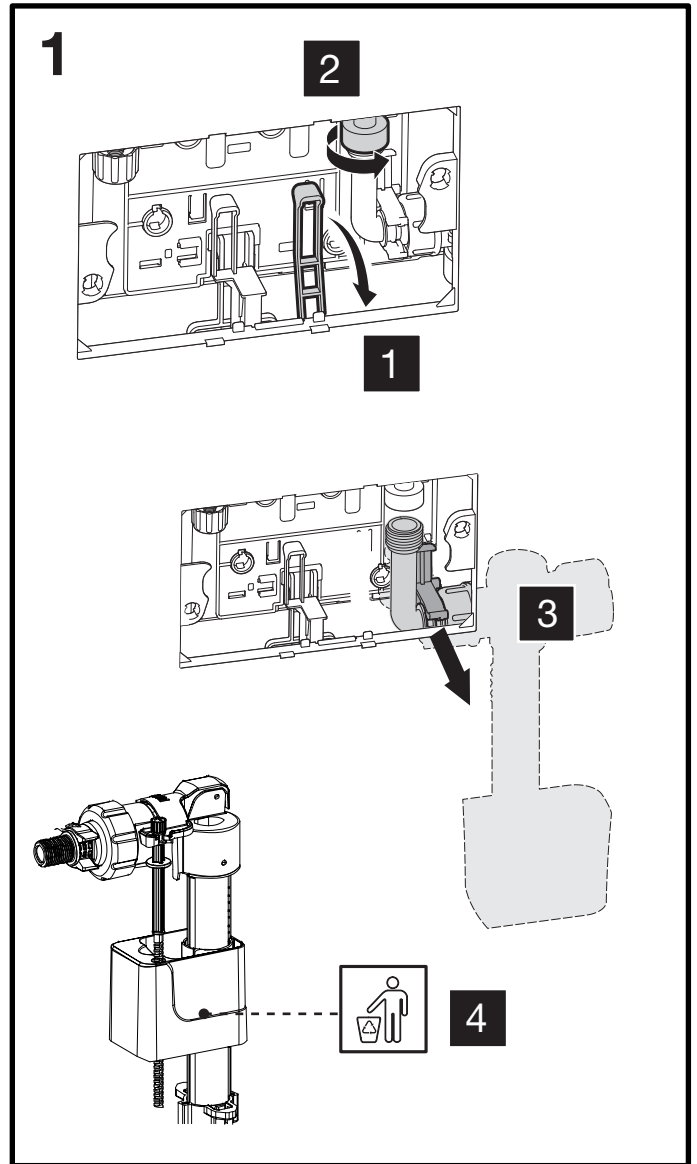
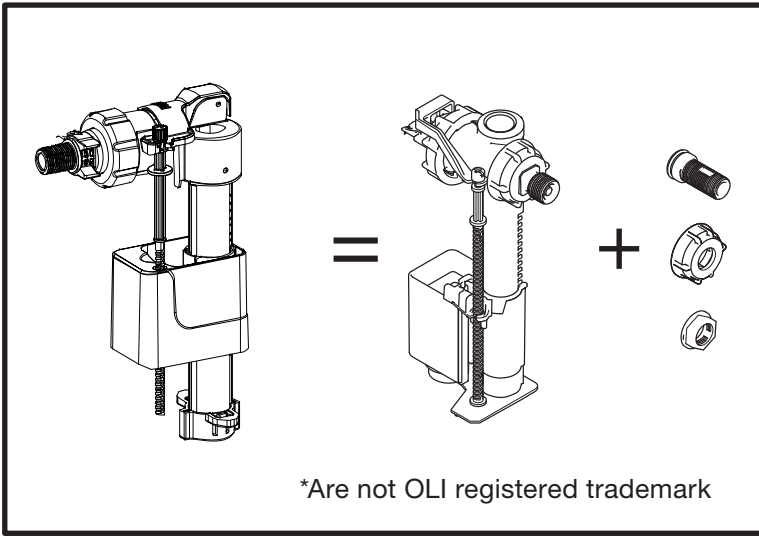


2



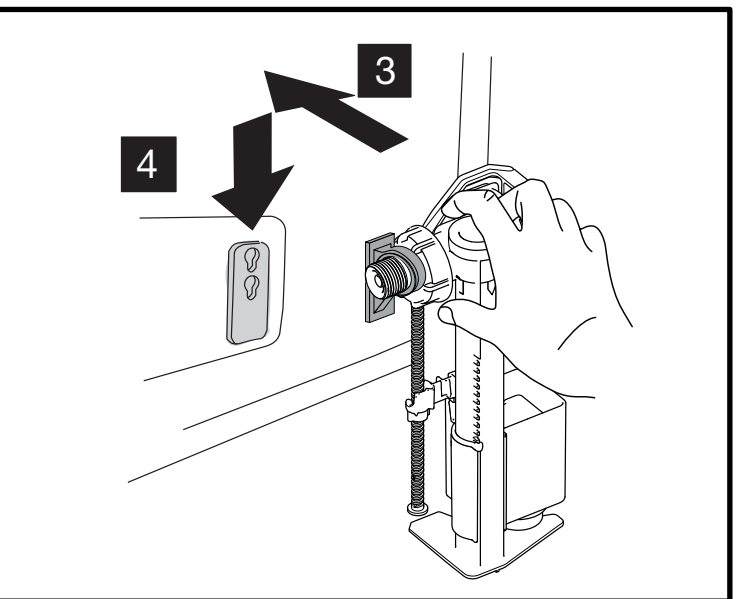
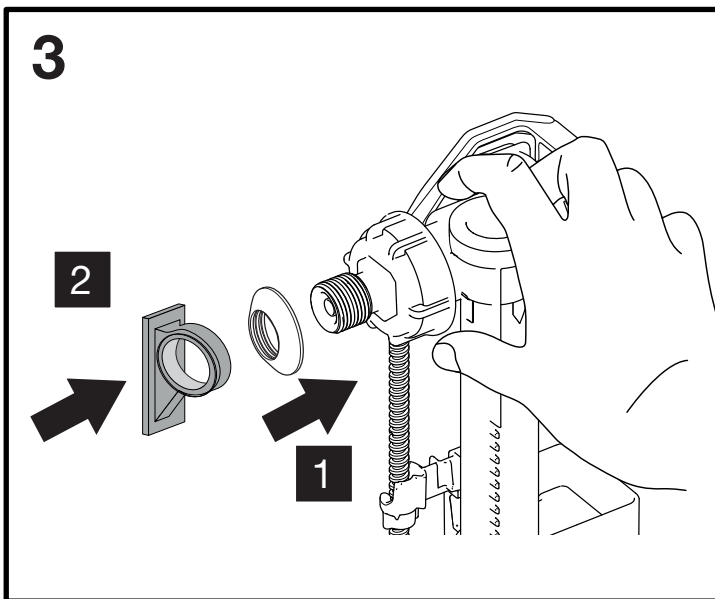
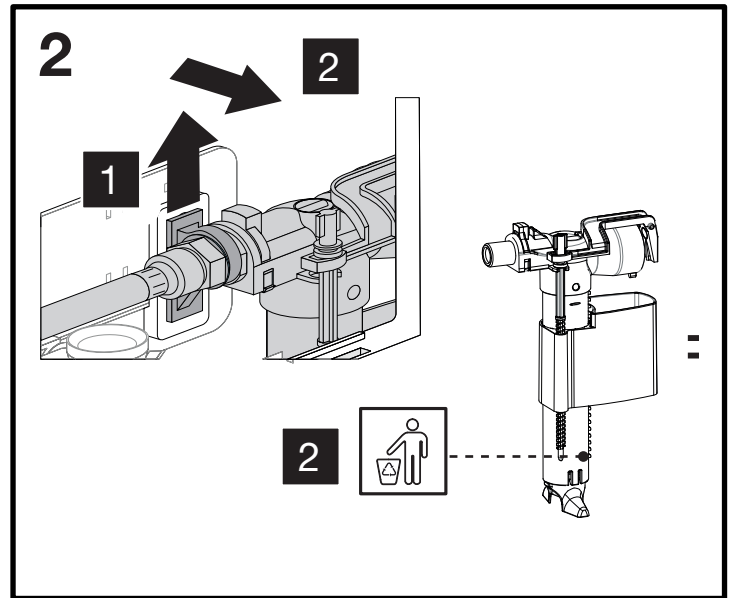
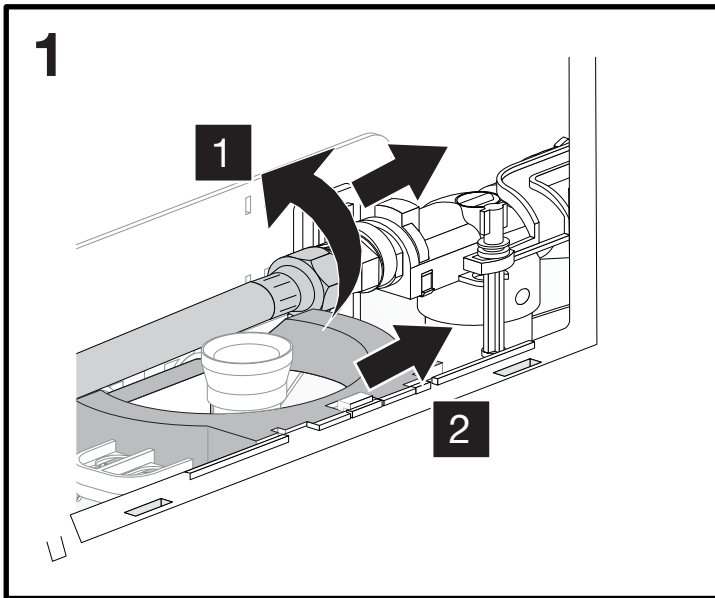
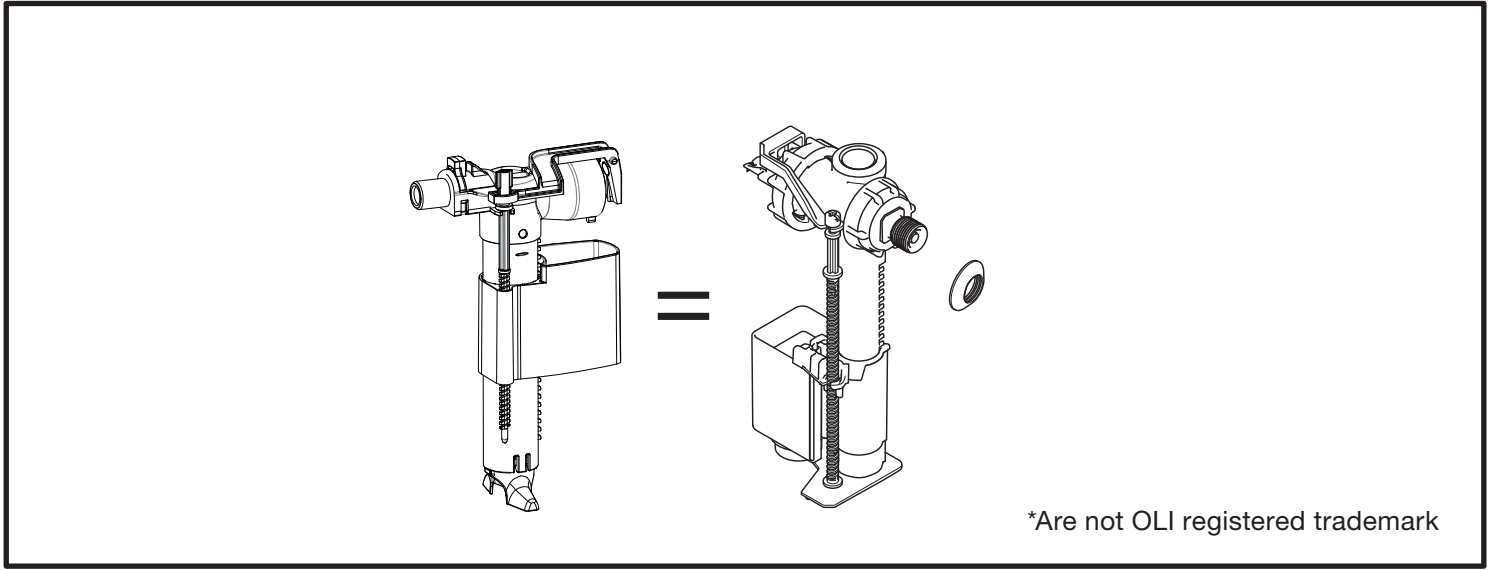
3

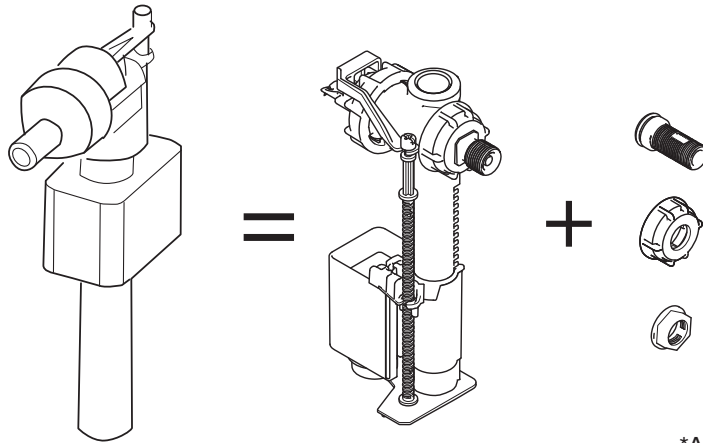




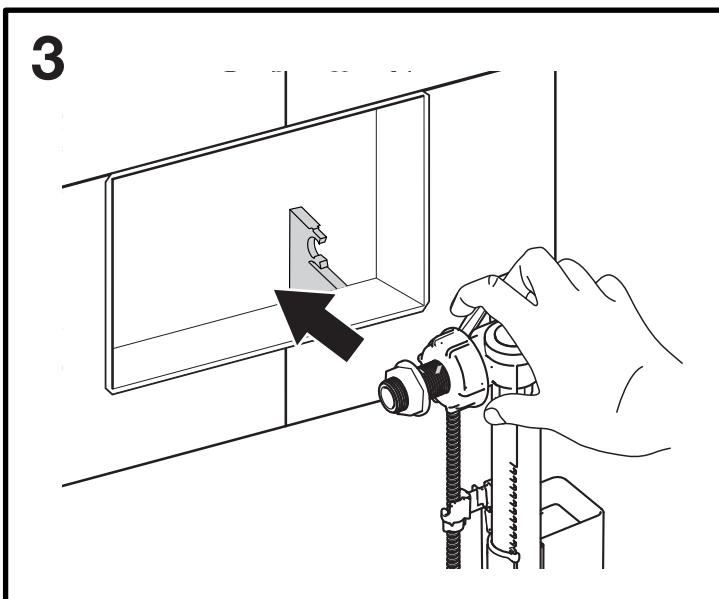
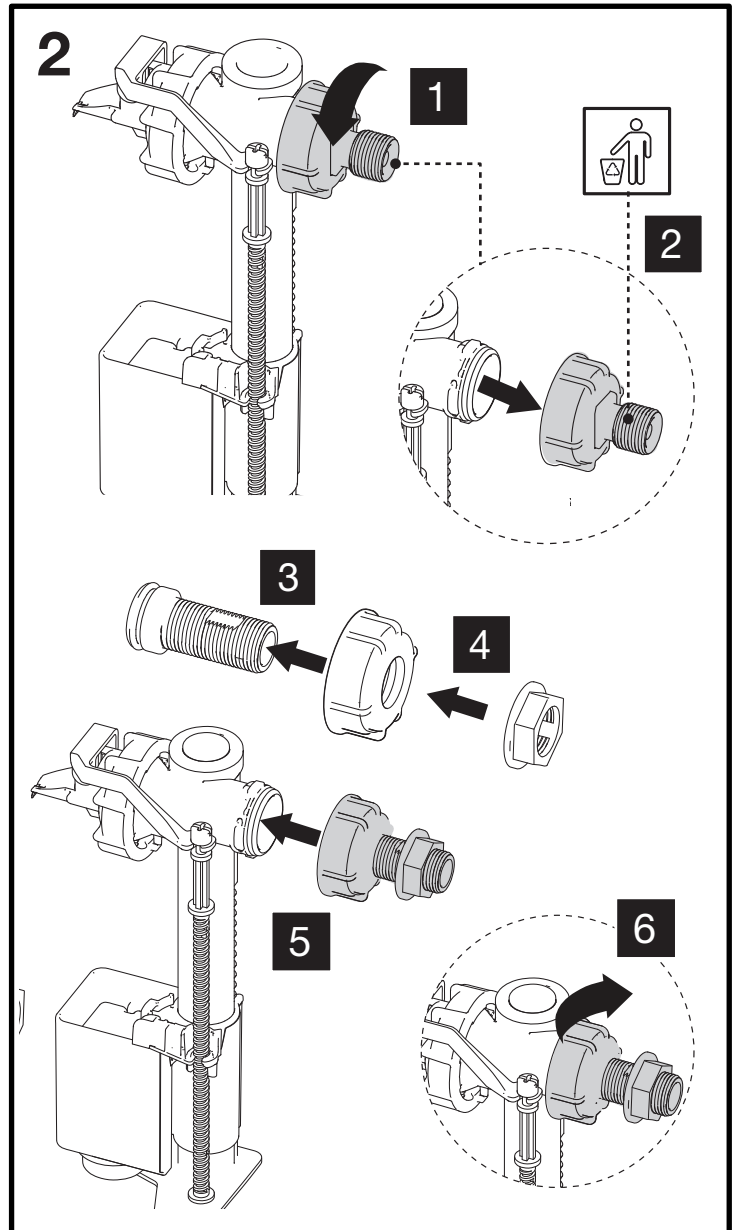
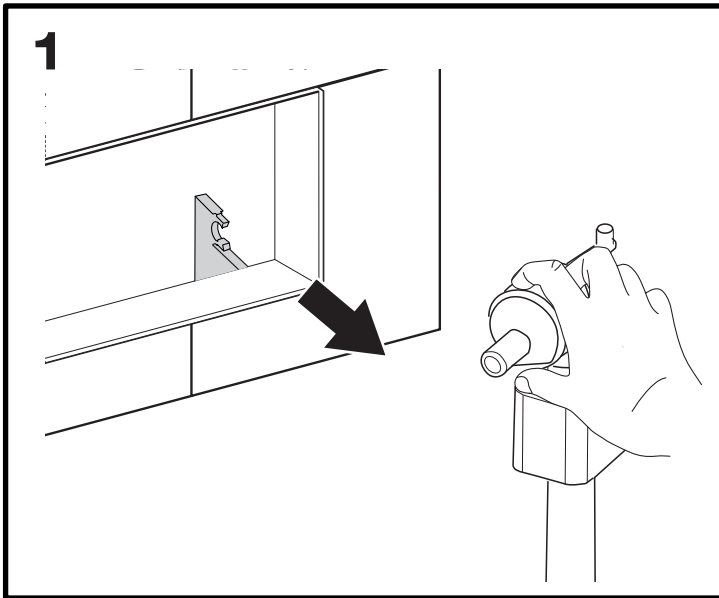


***ROCA® BASIC ONE WC COMPACT**



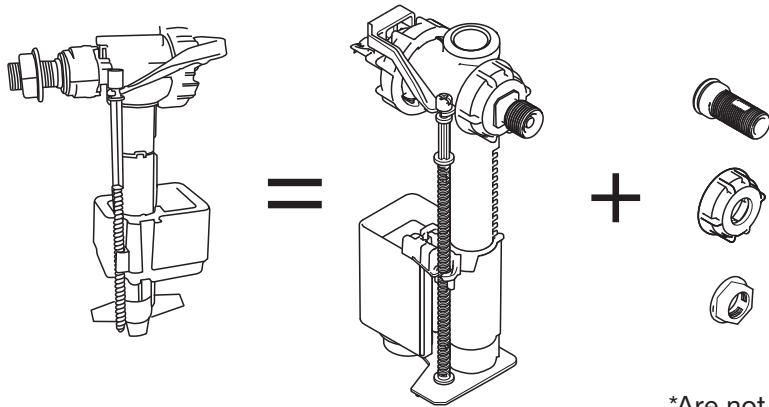


*Are not OLI registered trademark

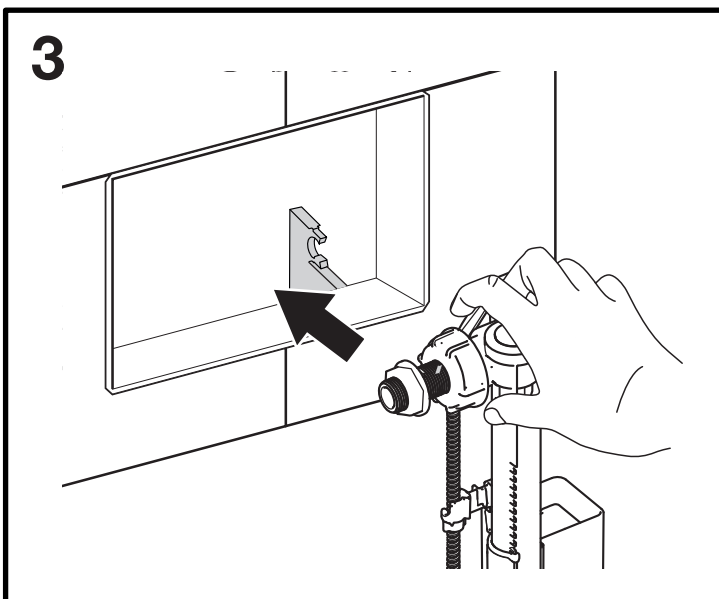
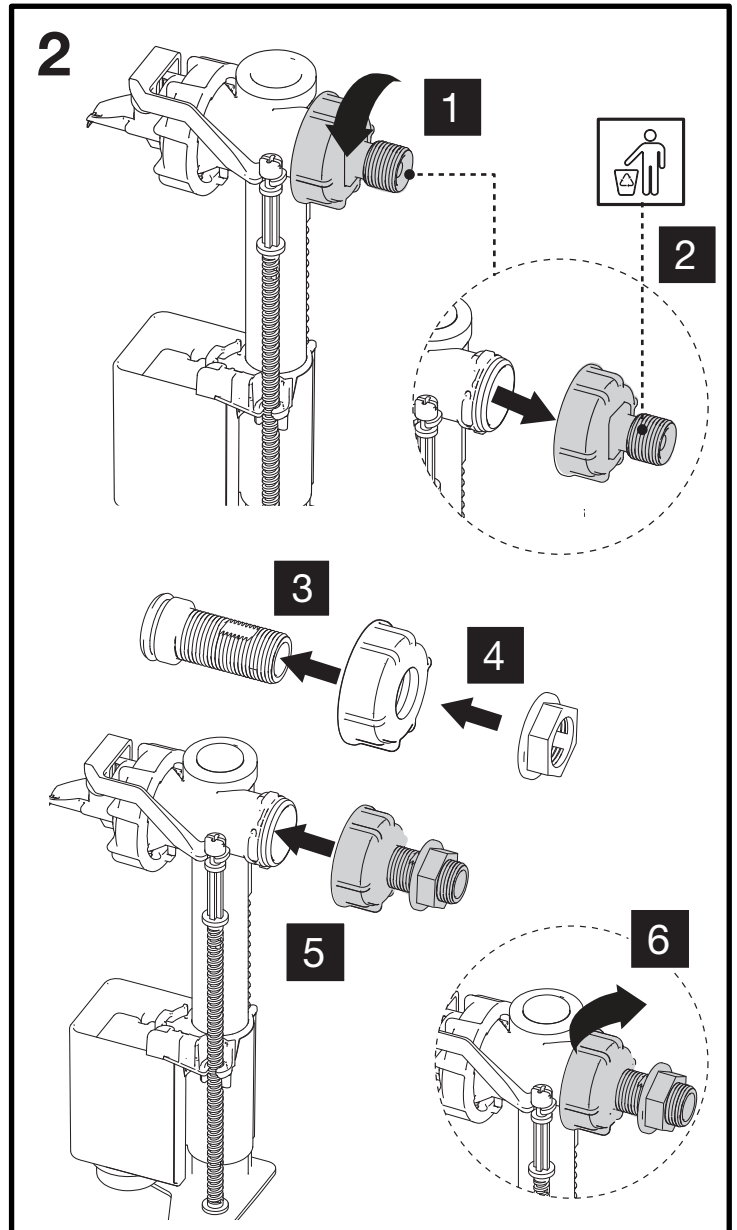
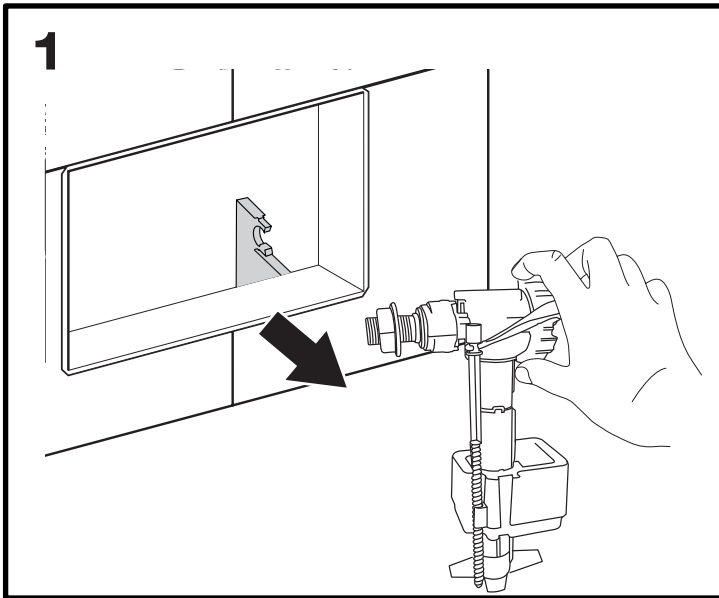




*MEPA® VARIVIT

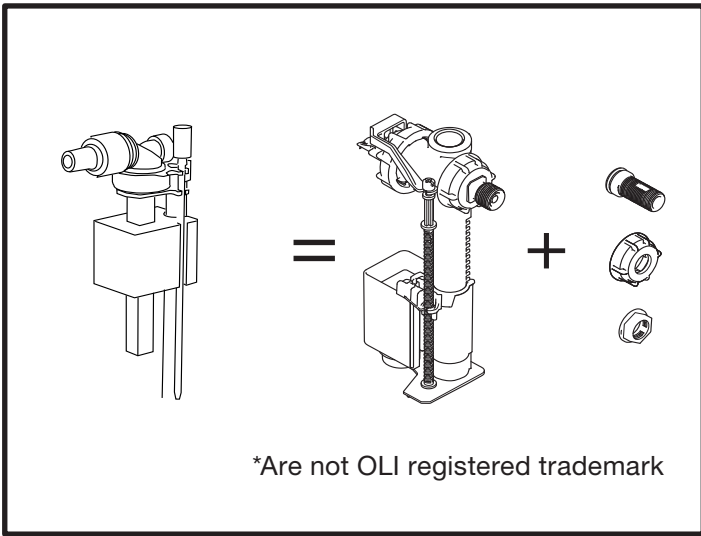


*Are not OLI registered trademark

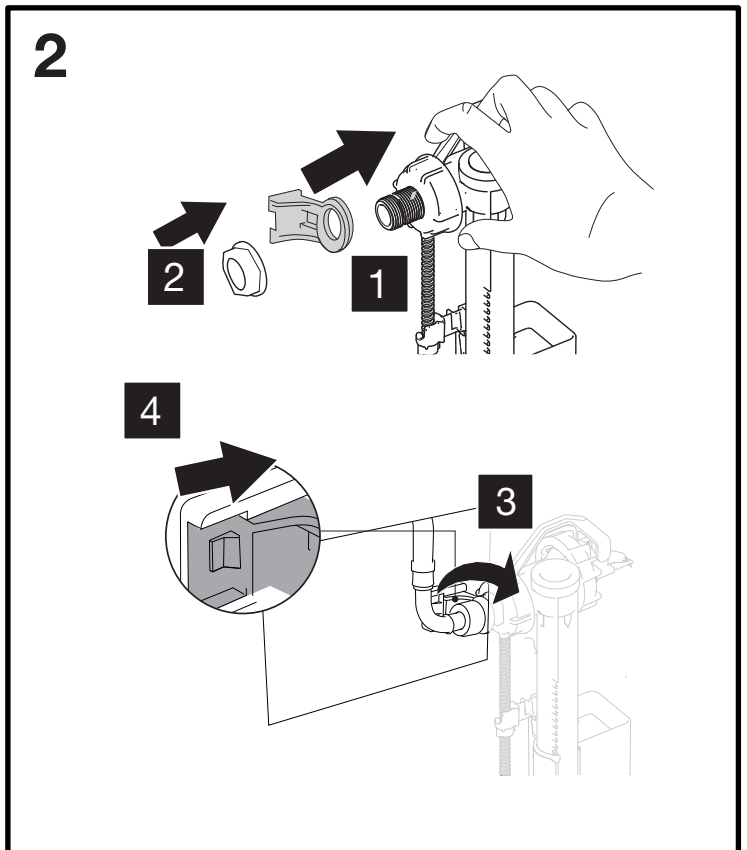
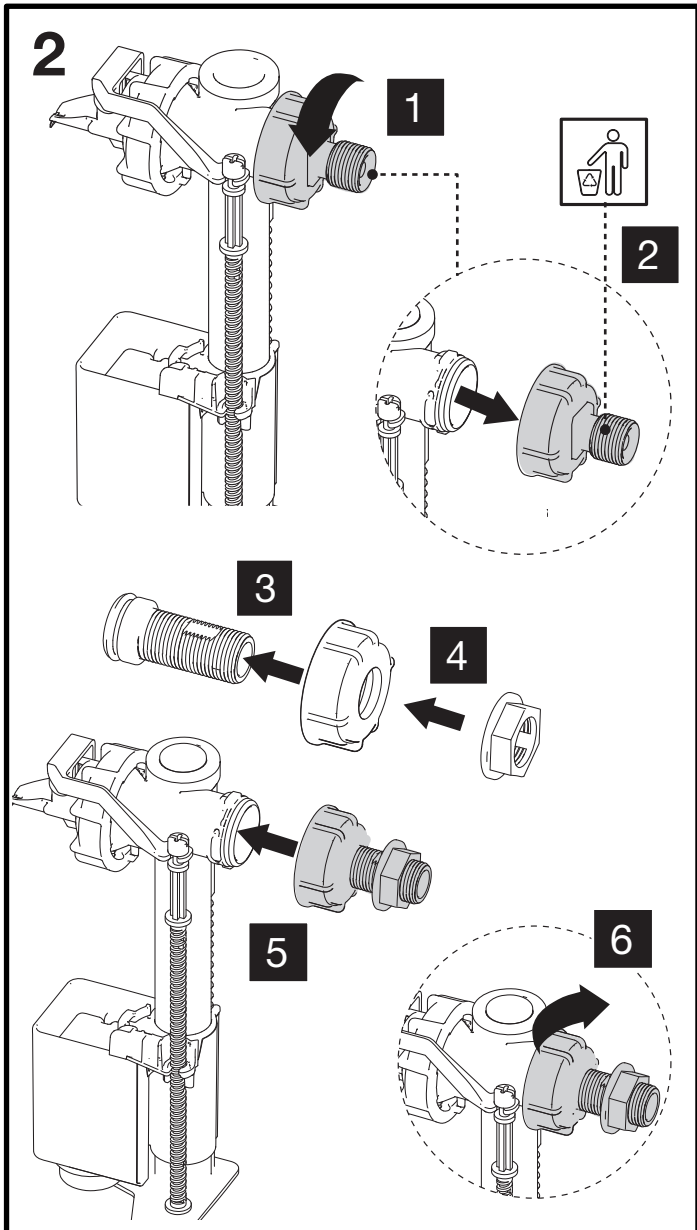
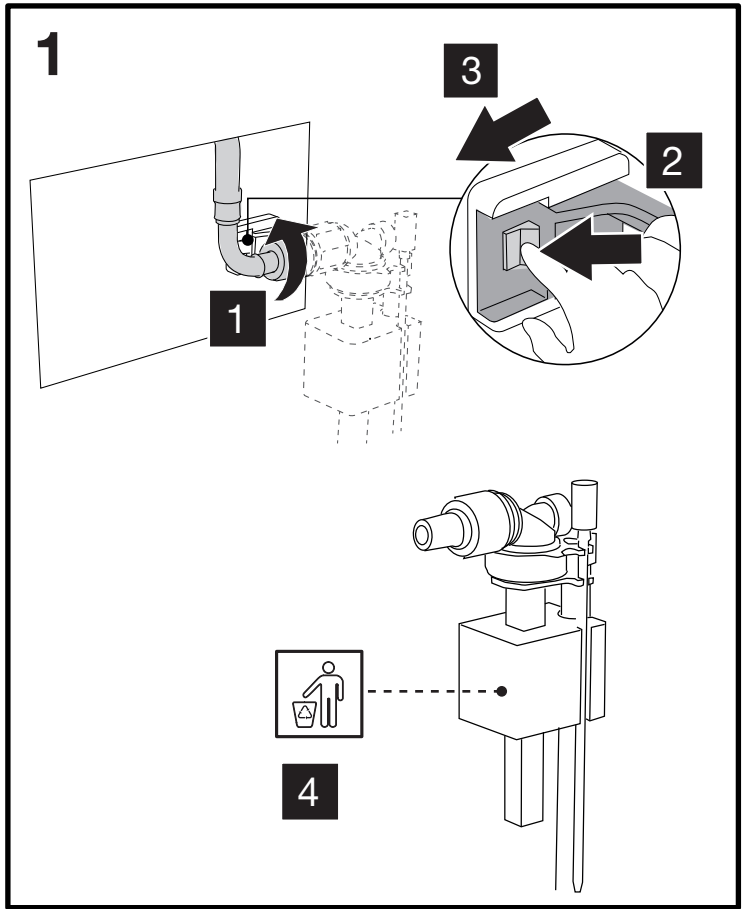




*BAMPI® BSILENT

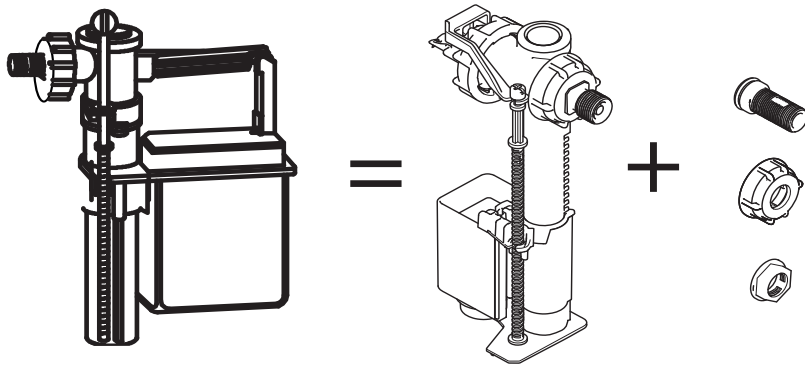


*Are not OLI registered trademark

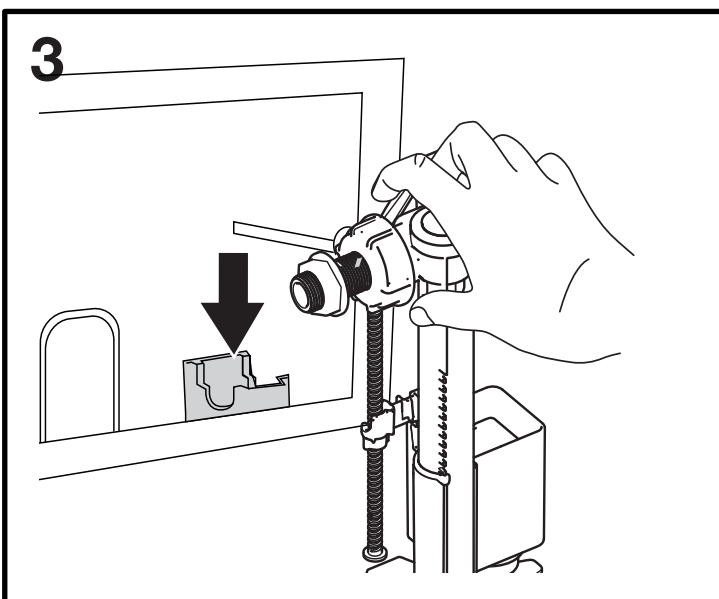
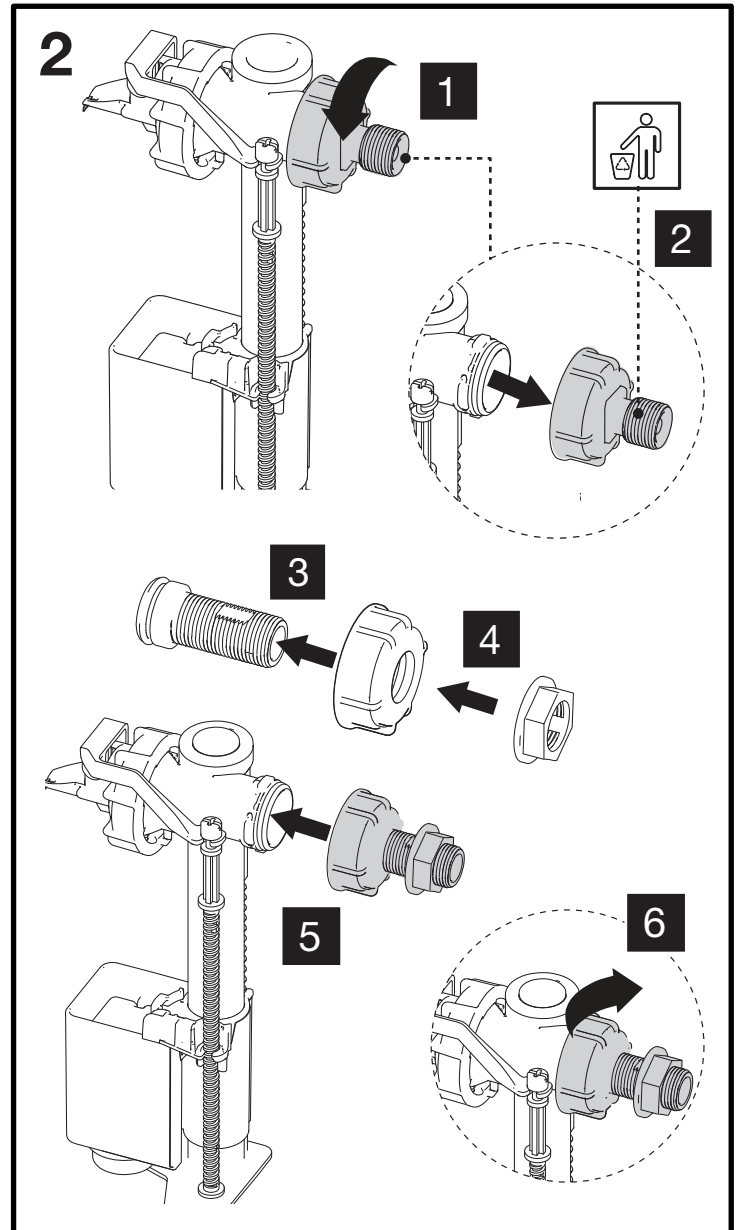
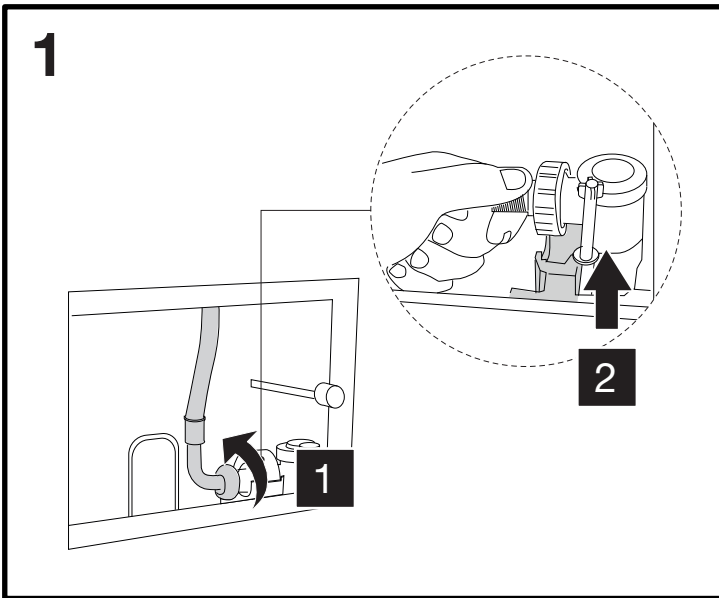




*KARIBA® PRATIKA

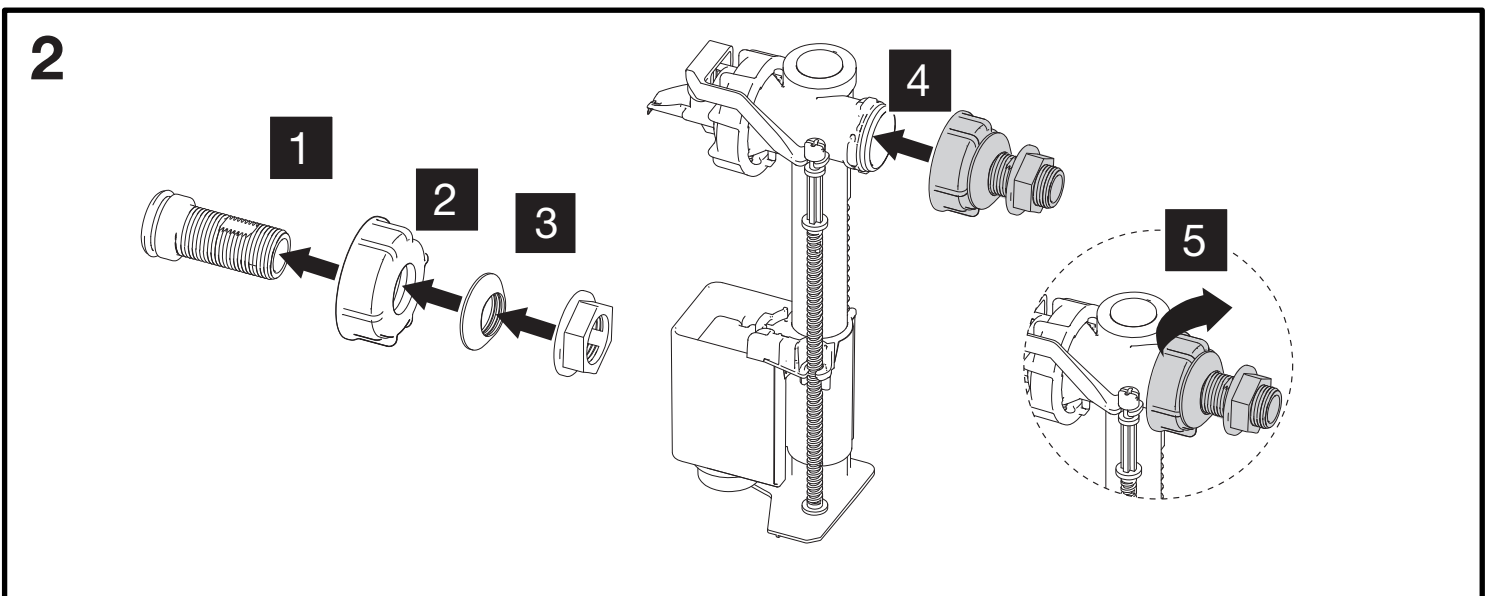
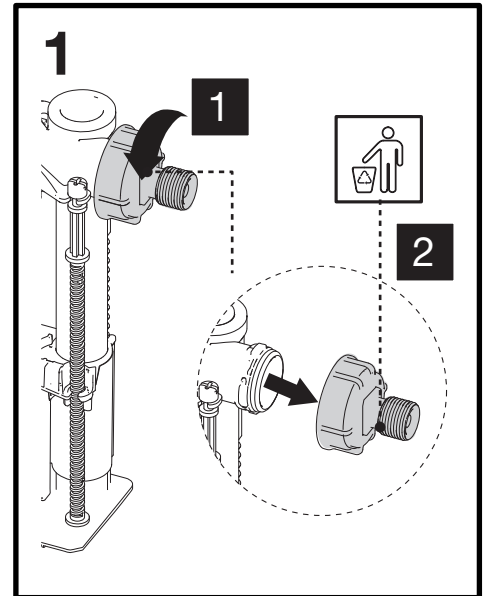
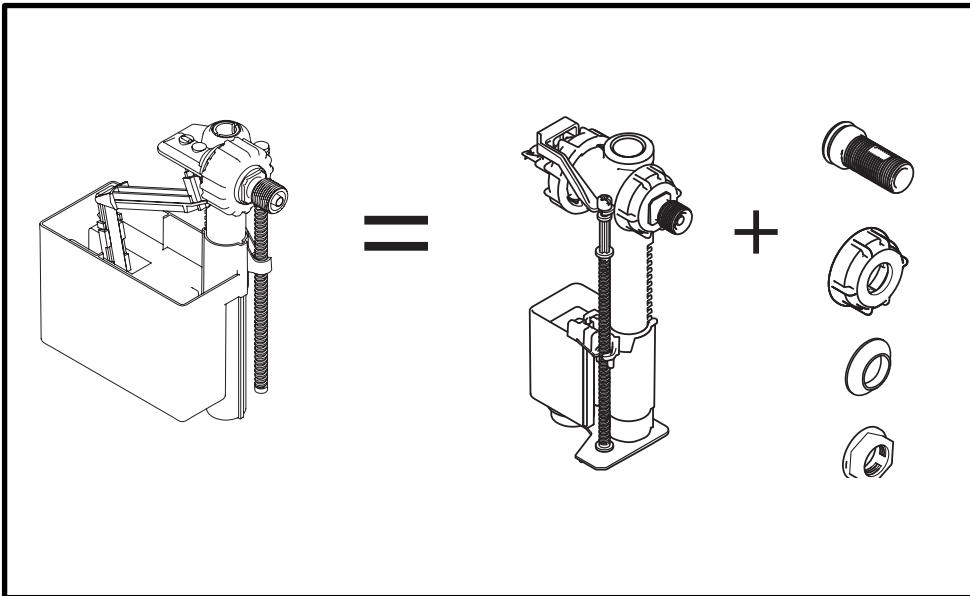
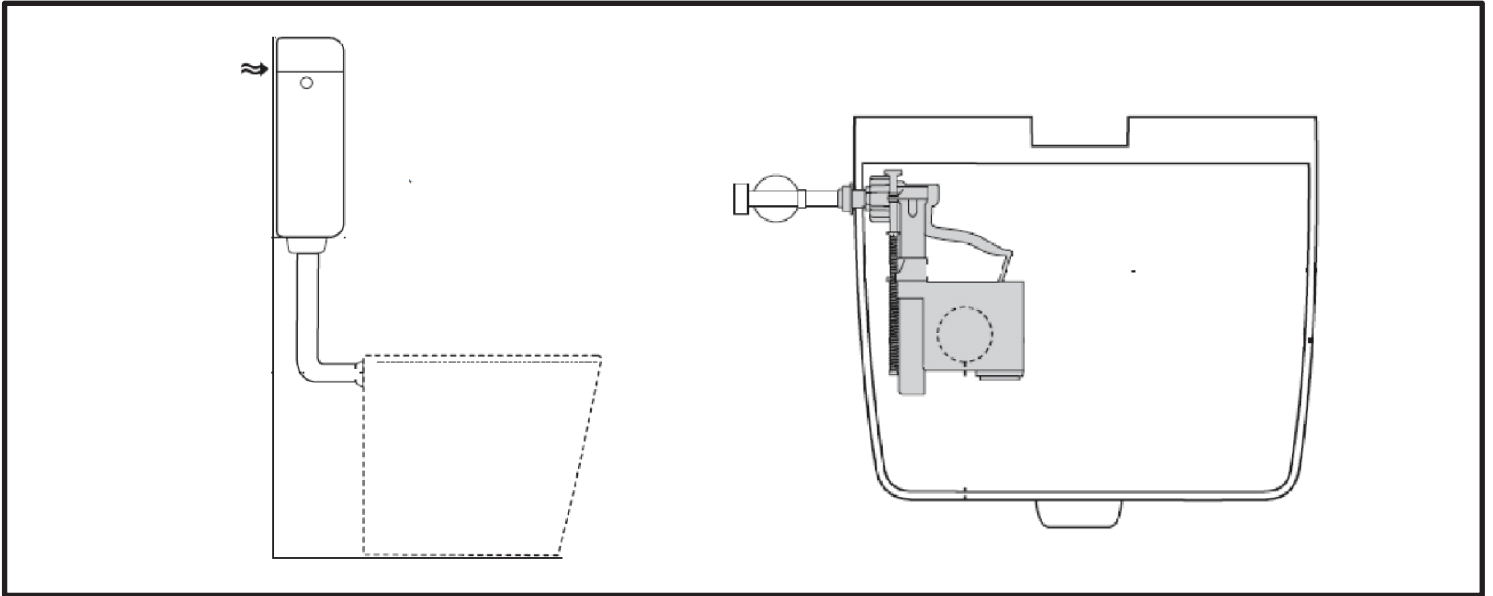


*Are not OLI registered trademark





CASSETTA ESTERNA | EXPOSED CISTERN





CASSETTA IN CERAMICA | CERAMIC TANK

