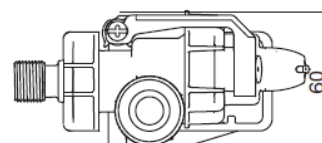
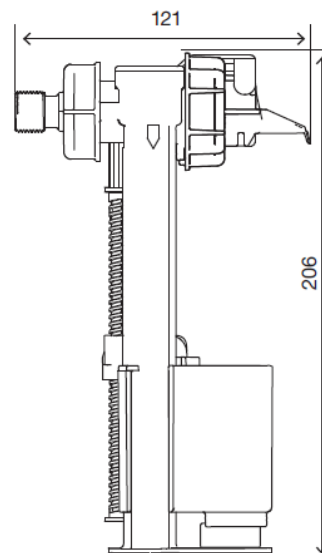


Technical Sheet

OLI ONE Inlet Valve



Product Identification

884379

- OLI ONE - box

Definition and Application

- Side inlet valve for in-wall, exposed and ceramic cisterns with 3/8" plastic or brass connection
- The adaptors set with plastic connection makes the OLI ONE compatible with a high range of in wall cisterns
- The brass connection makes the OLI ONE compatible with a high range of exposed and ceramic tanks.

Milimeters measures

Technical Features

Inlet Valve

- Side connection inlet valve;
- Delayed refilling inlet valve: it starts after the outlet valve is in the close position;
- Silent inlet valve, class I;
- High performance with dirty waters;
- Reduced dimensions
- Anti-backflow function
- Counter pressure closing system (hydraulic)

Hydraulic operating properties

- Dynamic Pressure: 0.5 – 10 bar
- Static pressure: 16 bar

Warranty

Ten (10) years warranty according to the general selling terms, starting from the purchase date of the product.

If the product is not correctly installed the warranty is not valid

Observations

They are available similar products. For more information please consult our Sanitary Installation Systems catalogue or our site www.oli-world.com