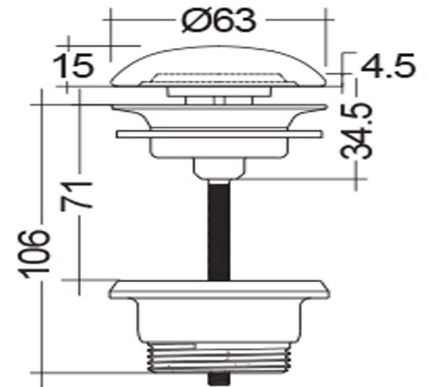


# RAK-DUO - DUO000500A - MATTE WHITE

Click Clack Wastes Matte White

**RAK**  
CERAMICS



## TECHNICAL SPECIFICATIONS

Suite:	RAK-DUO
Type:	Wastes
Dimensions:	0 x 42 mm
Color:	MATT WHITE - 500
Code:	

Dimensions: All dimensions in mm. Tolerance of vitreous china & fireclay items:  $\pm 5\%$  for below 200mm and  $\pm 3\%$  for above 200mm; for all other items tolerance  $\pm 1\%$ . Note: Due to a continuing development program to improve design and performance, the manufacturer reserves all rights to vary specifications without prior information. Please note accessories are for photographic use only.