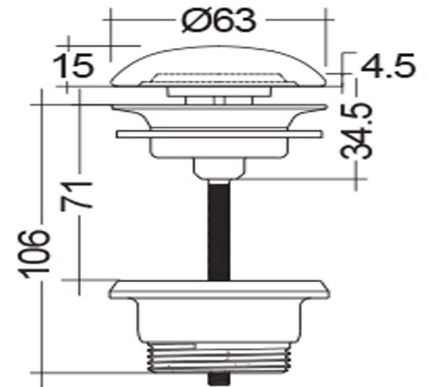


RAK-DUO - DUO000504A - MATT BLACK

Click Clack Wastes Matt Black

RAK
CERAMICS



TECHNICAL SPECIFICATIONS

Suite:	RAK-DUO
Type:	Wastes
Dimensions:	0 x 42 mm
Color:	MATT BLACK - 504
Code:	

Dimensions: All dimensions in mm. Tolerance of vitreous china & fireclay items: $\pm 5\%$ for below 200mm and $\pm 3\%$ for above 200mm; for all other items tolerance $\pm 1\%$. Note: Due to a continuing development program to improve design and performance, the manufacturer reserves all rights to vary specifications without prior information. Please note accessories are for photographic use only.