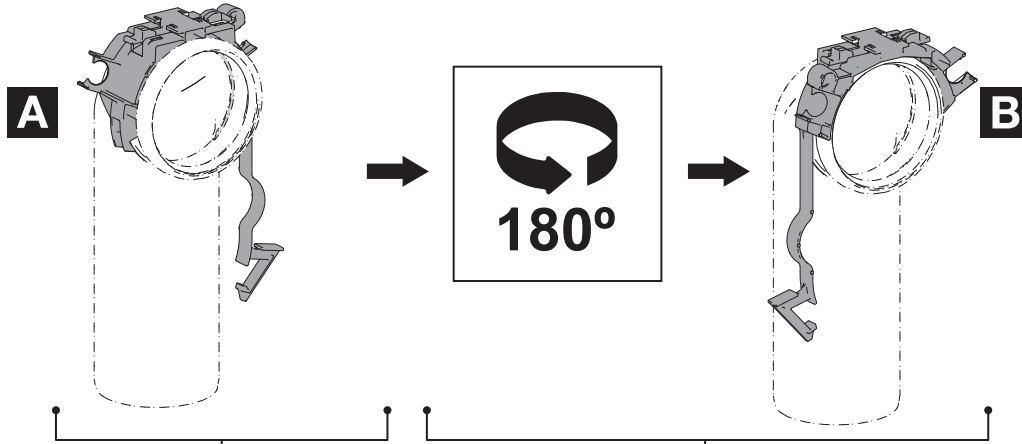
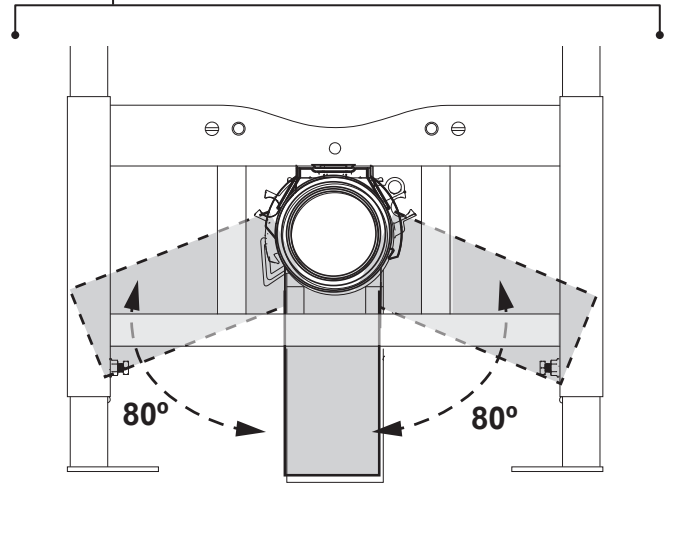
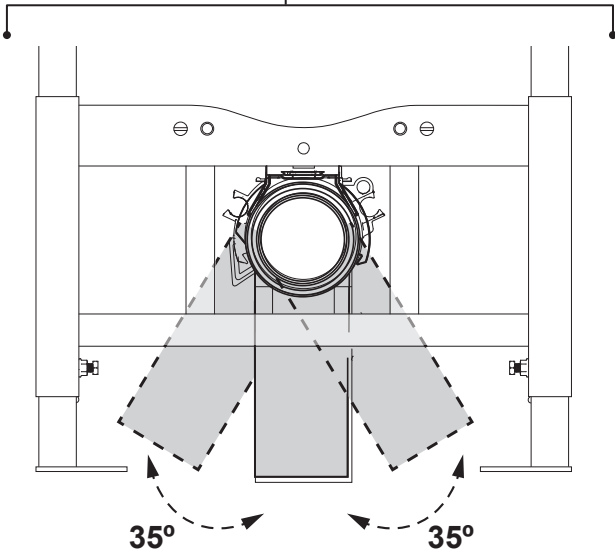


3

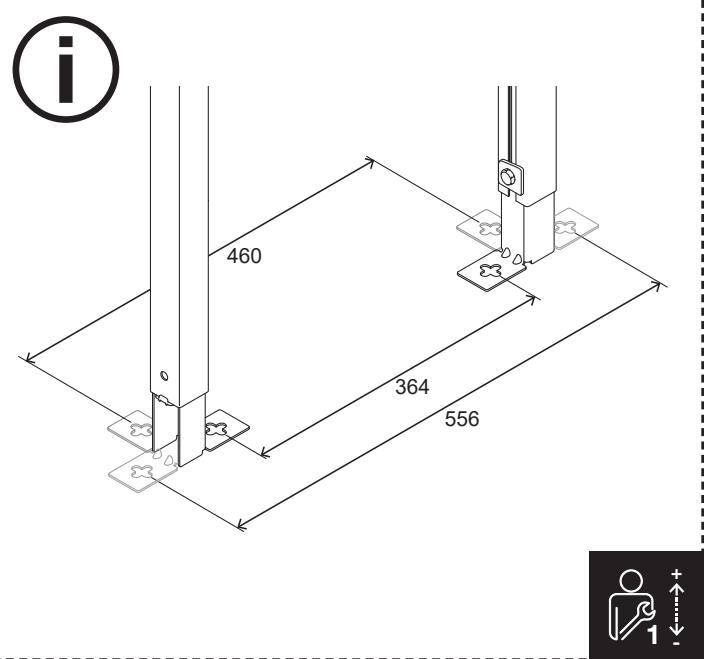
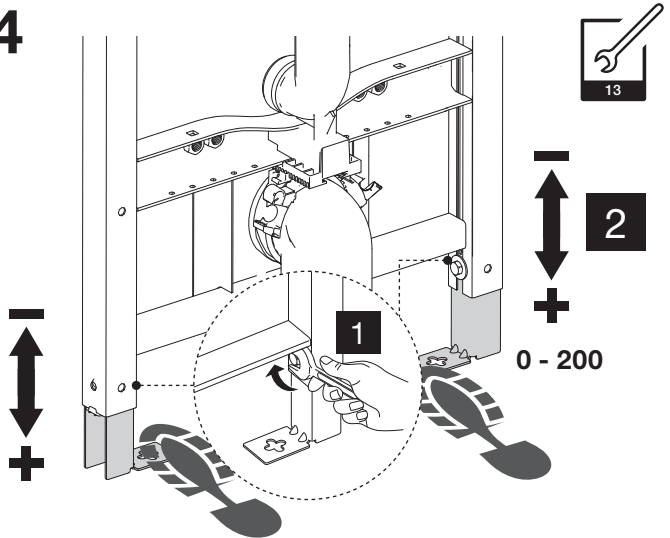


A

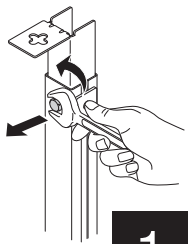
B



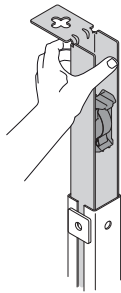
4



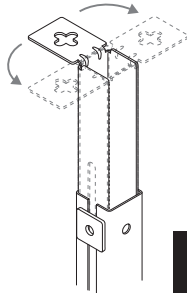
i



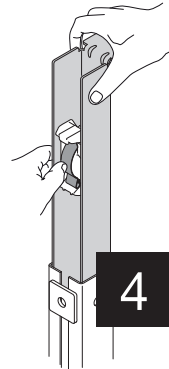
1



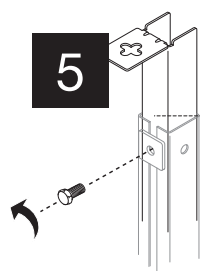
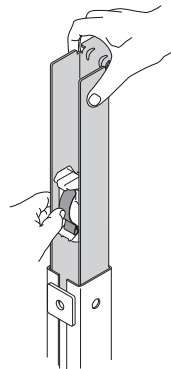
2



3



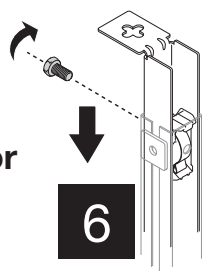
4



5

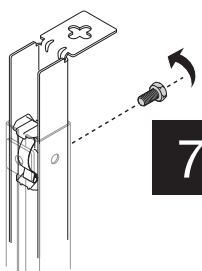
PRESS

or

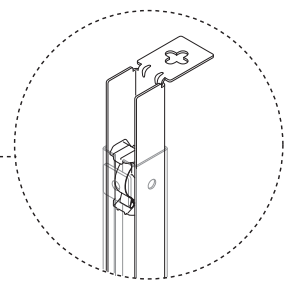
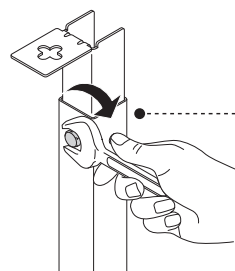


6

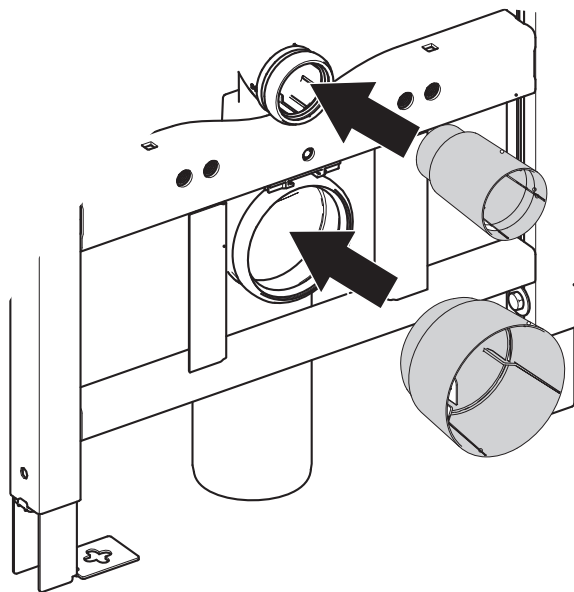
or



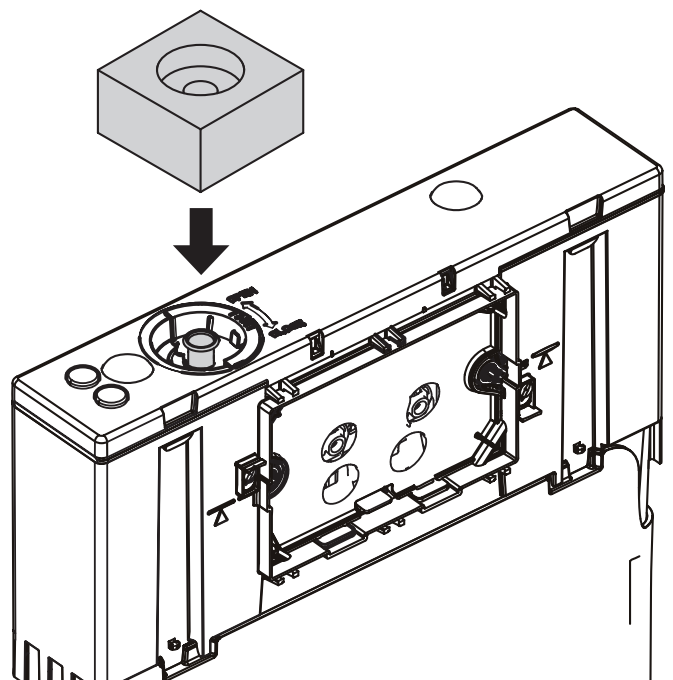
7

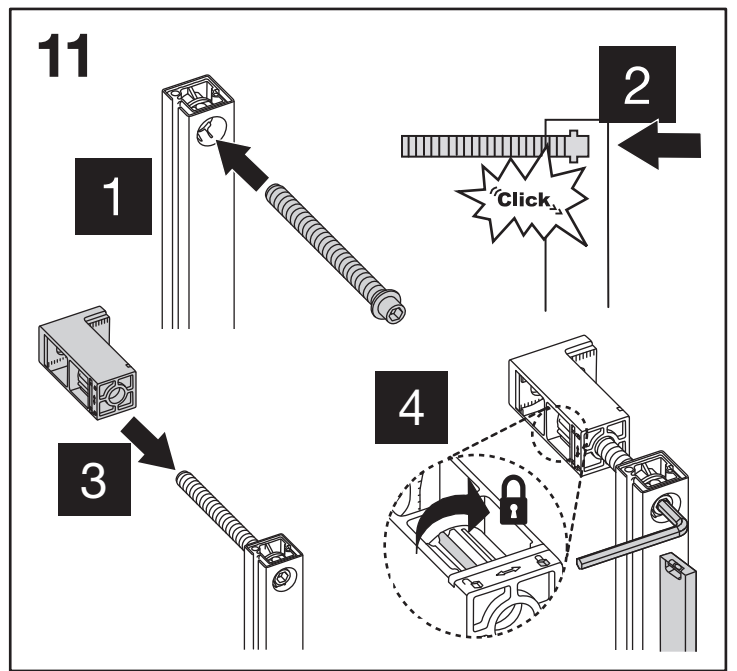
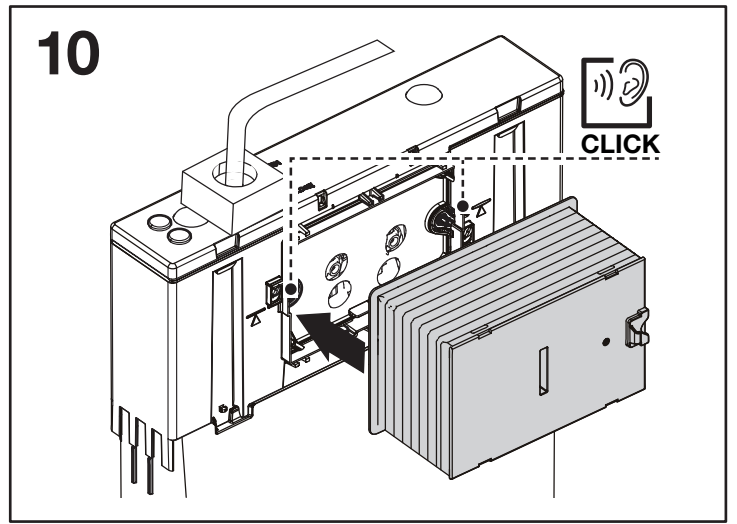
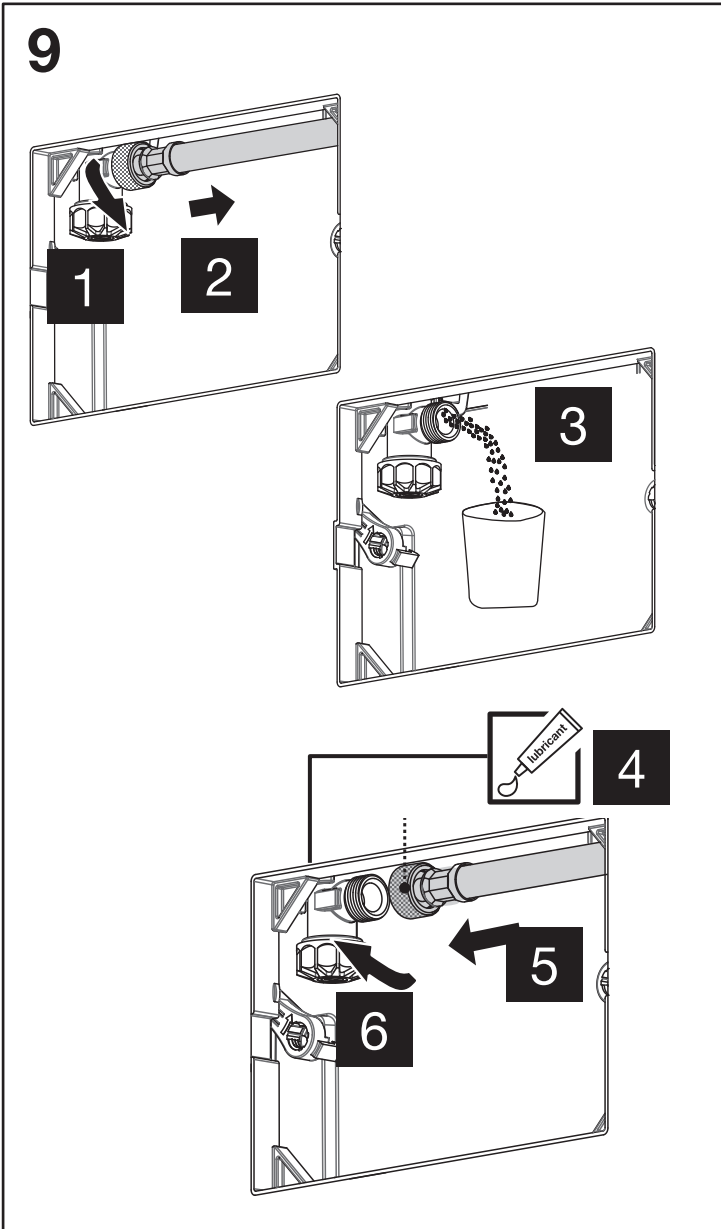
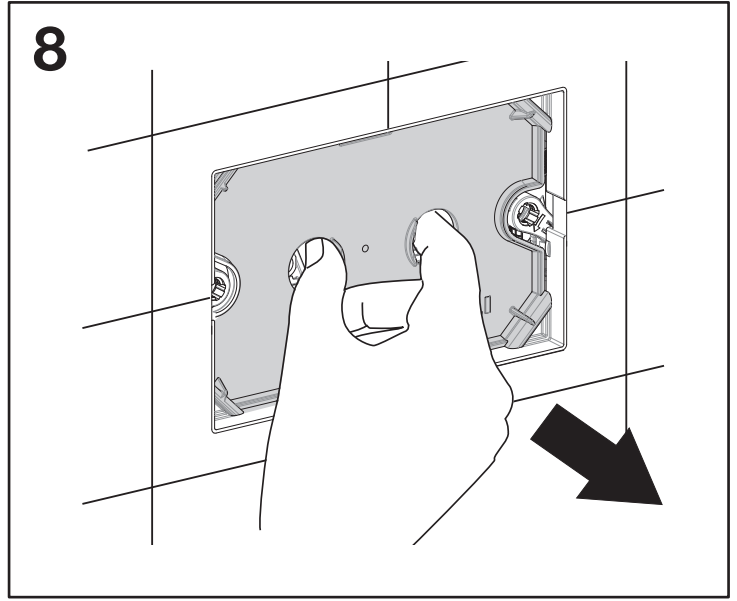
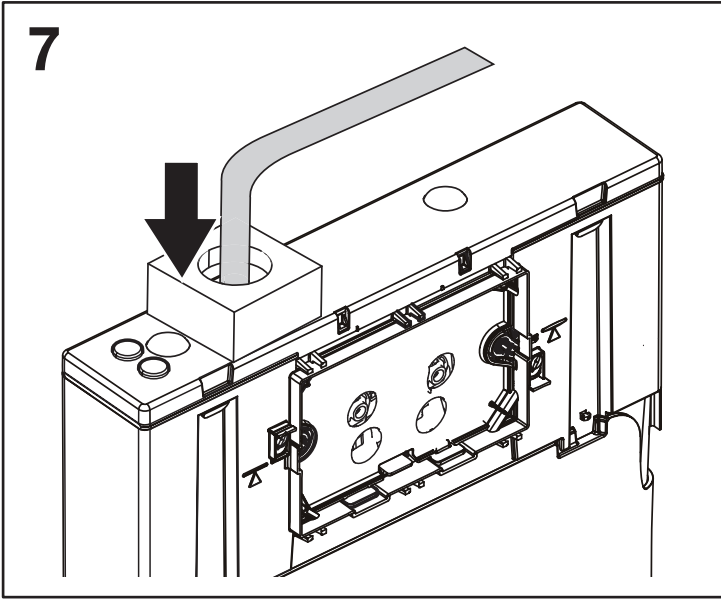


5

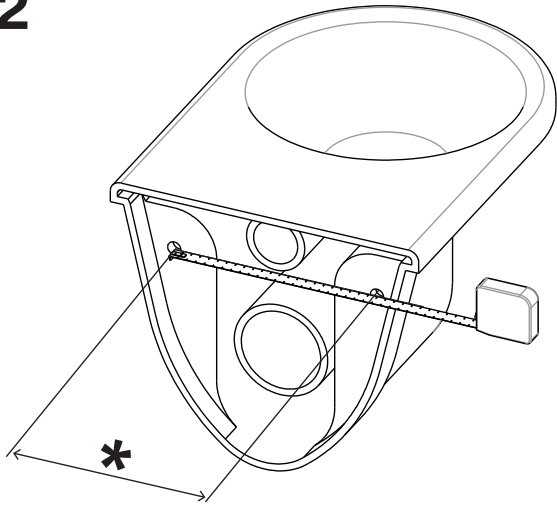


6

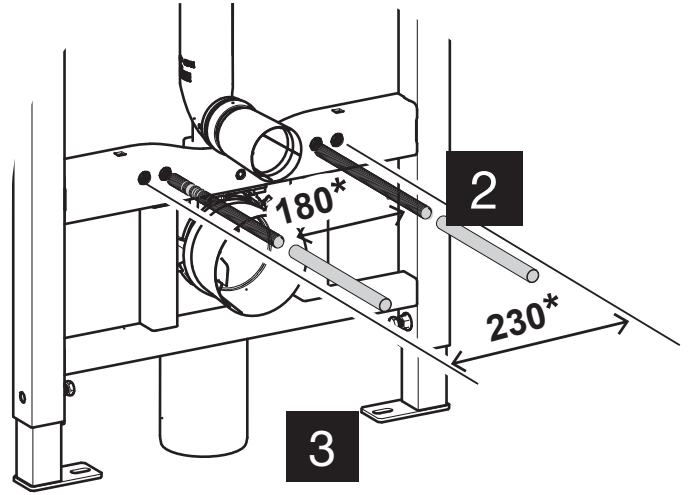




12

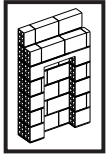


1

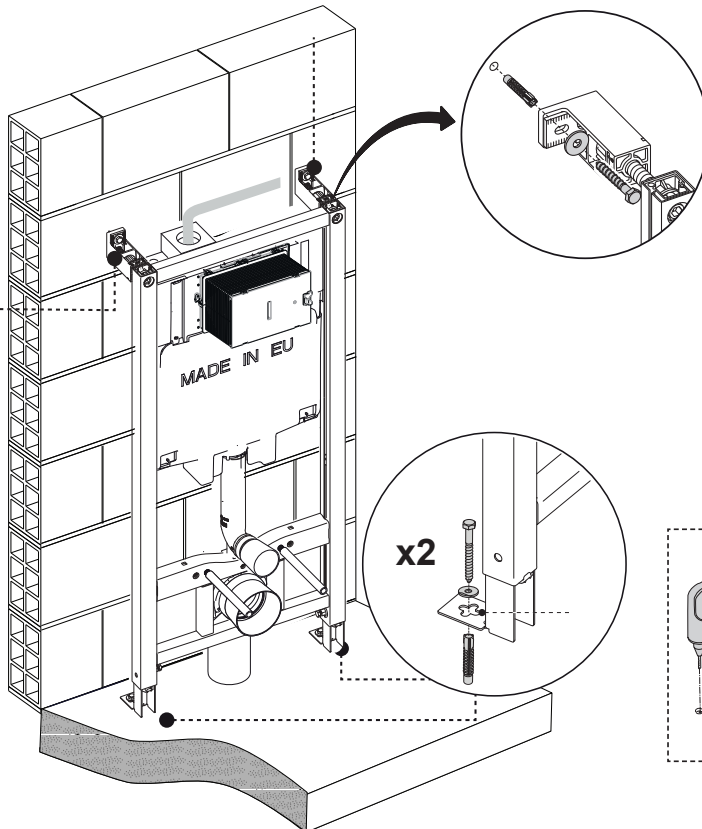
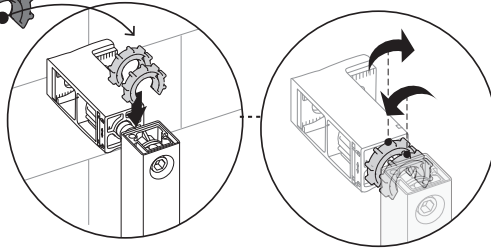


2

3

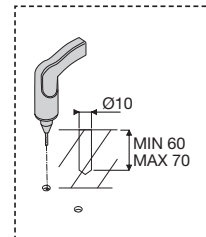
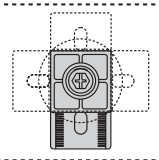


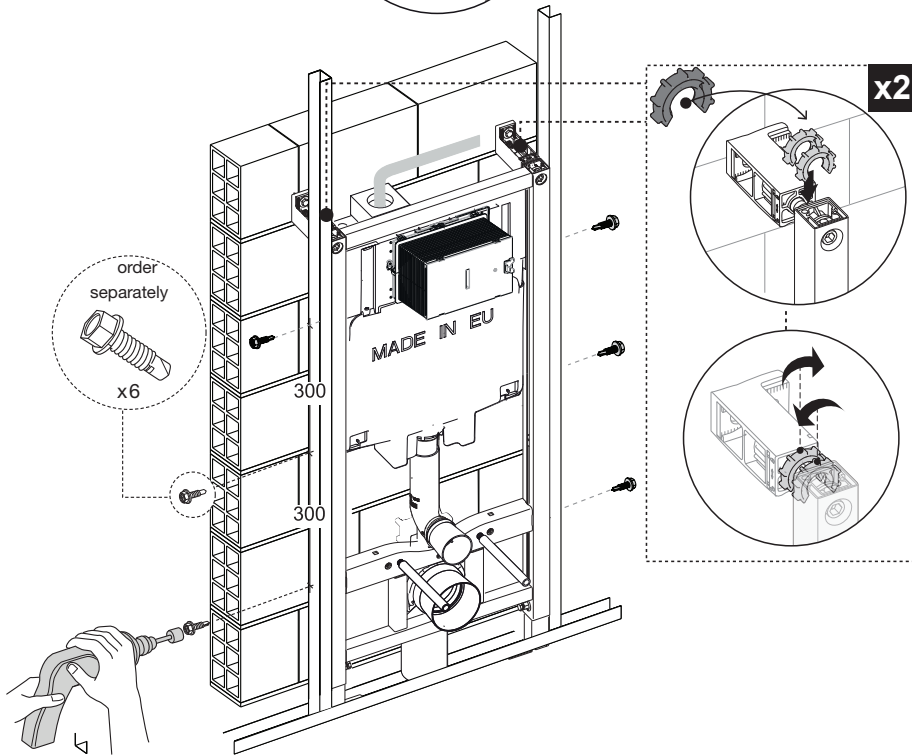
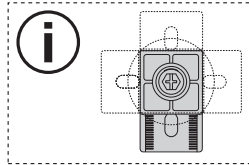
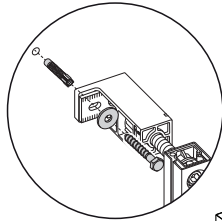
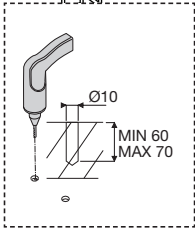
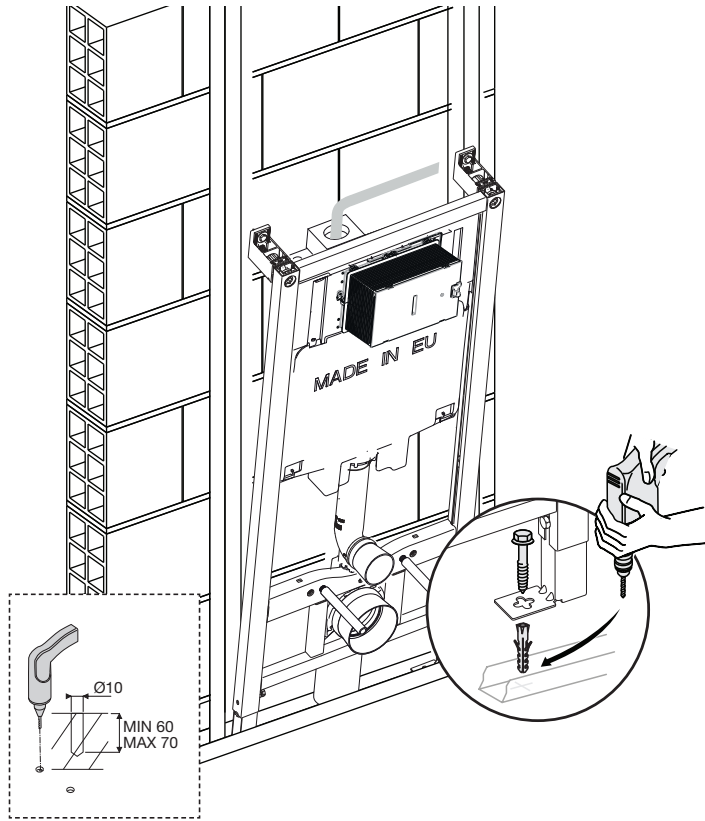
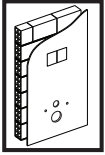
x2



x2

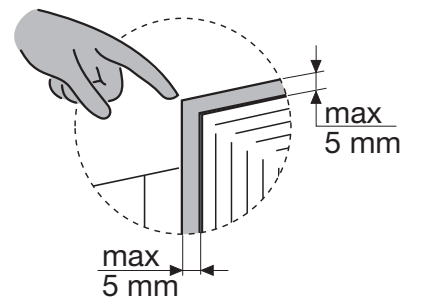
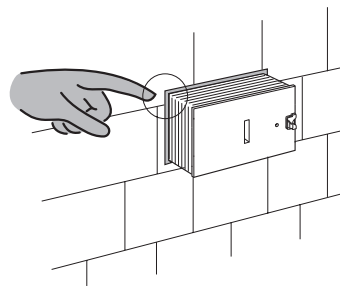
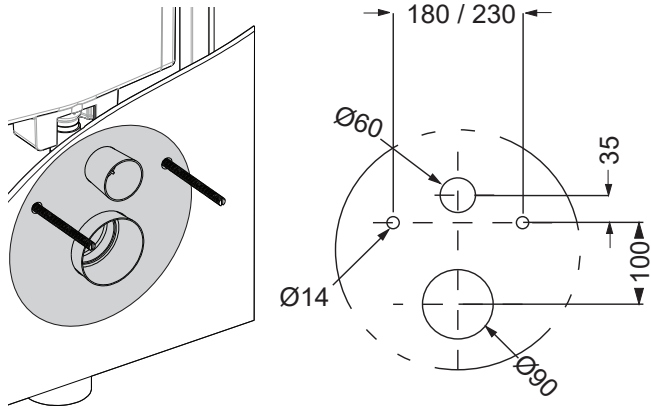
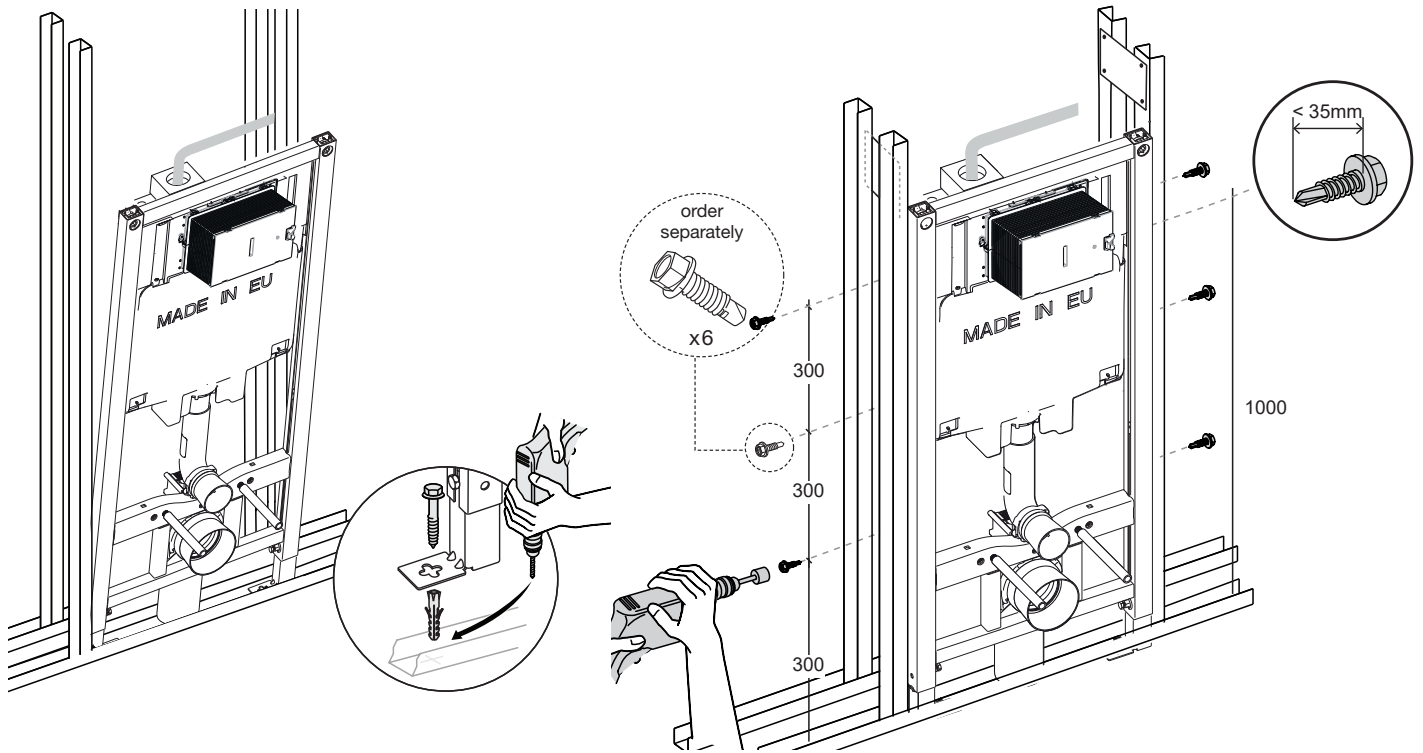
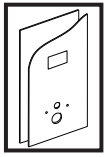
i





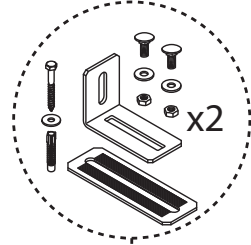
order
separately
x6

x2



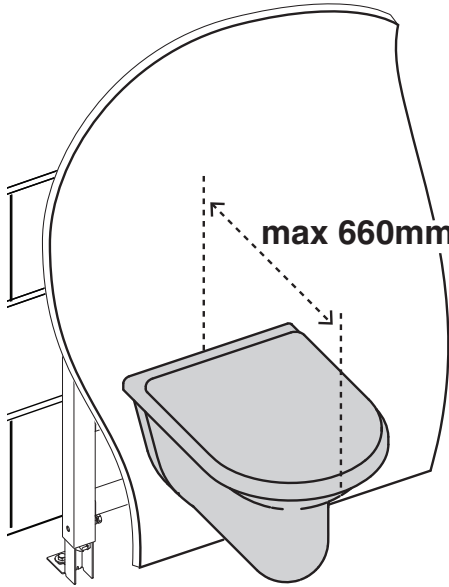


> 660 mm

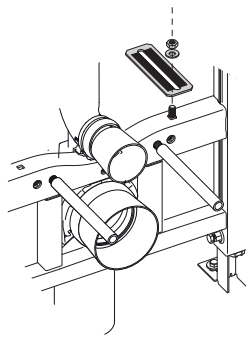


881603

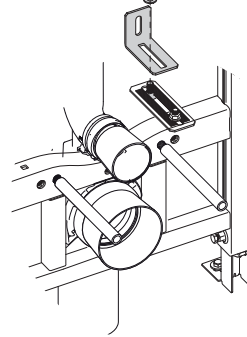
max 660mm



1



2



3

